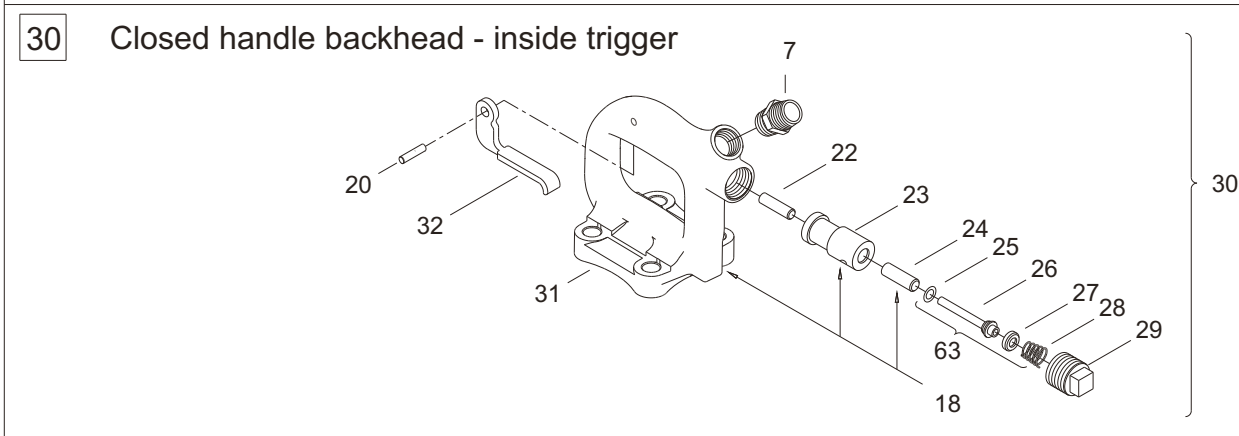
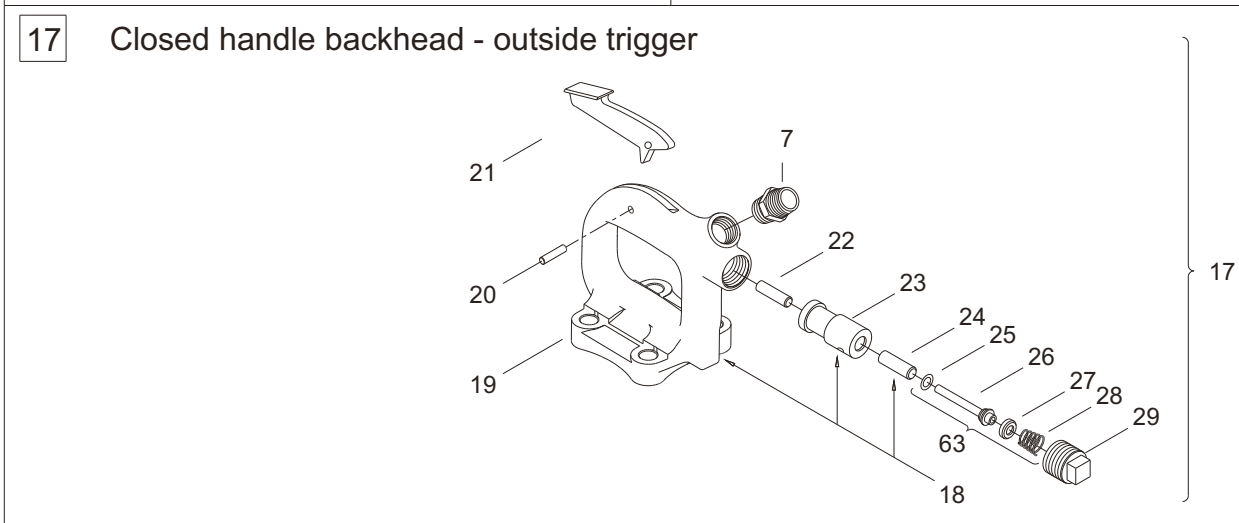
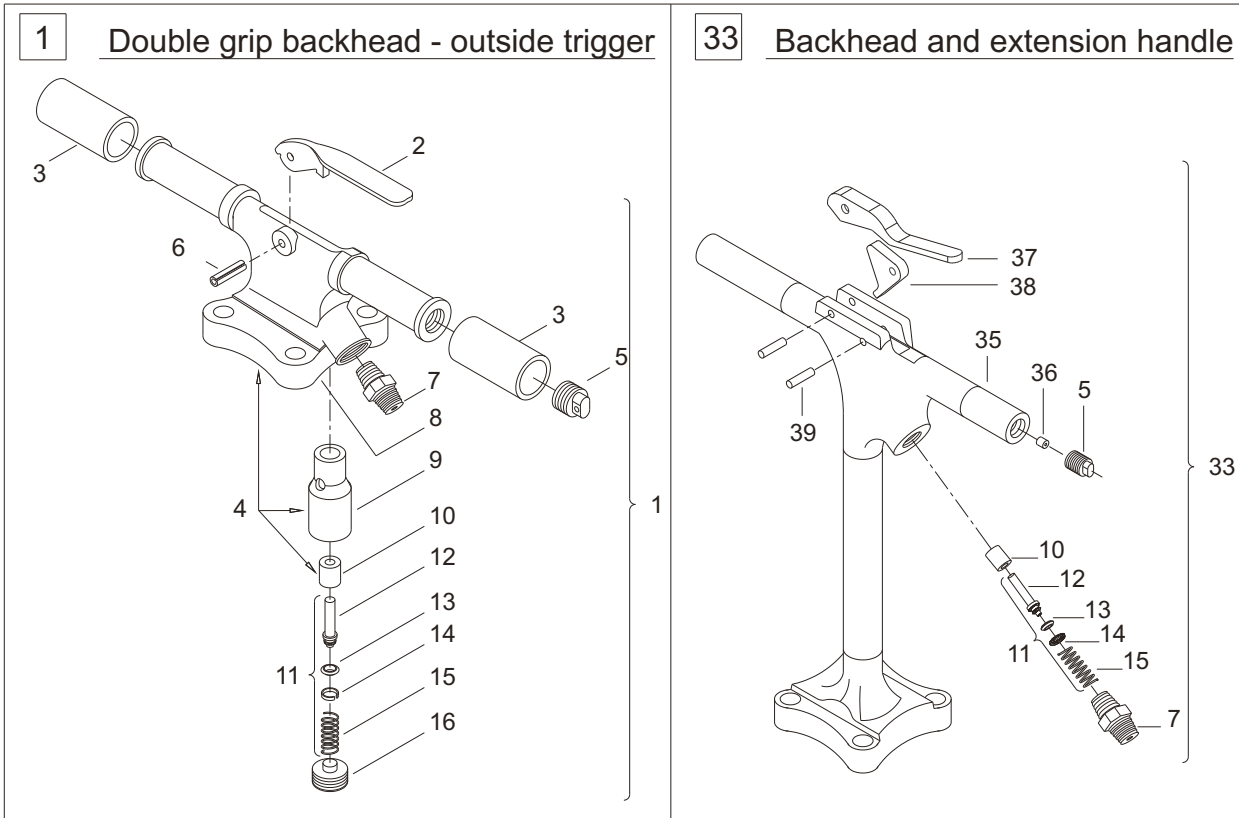


## Useful information

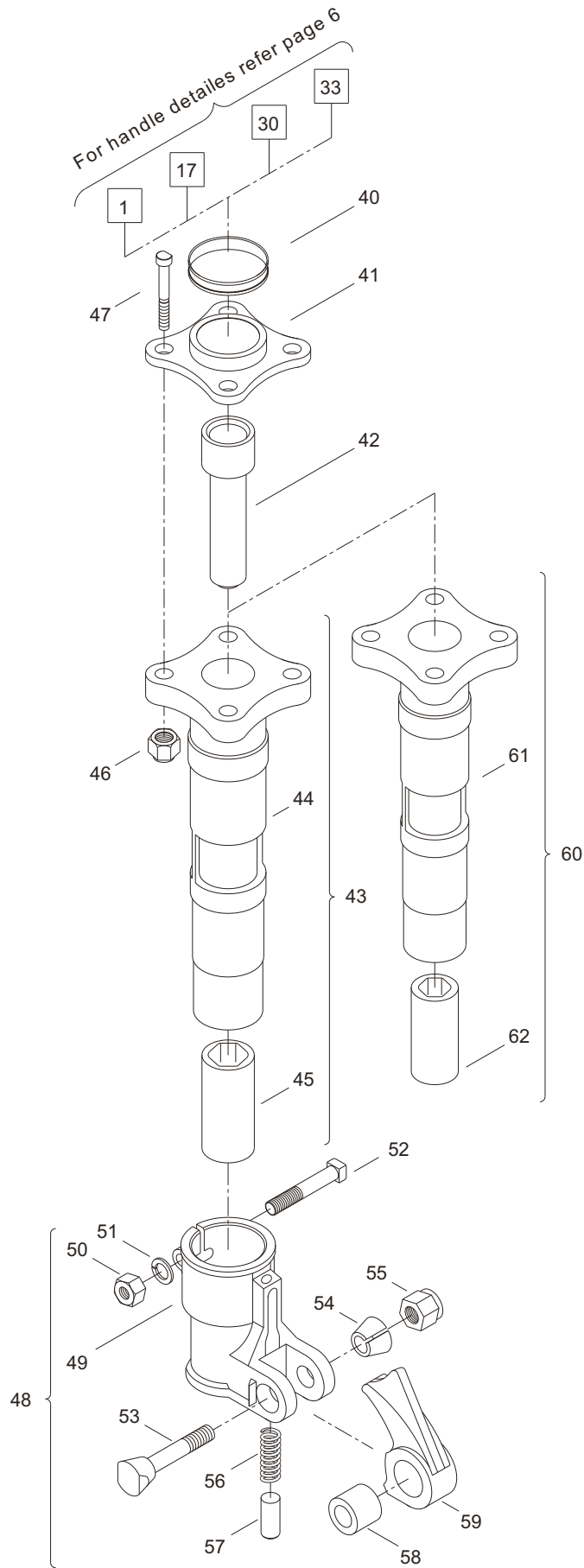
Part no.	Tool model	Chuck size	Backhead/ Handle type	Throttle Lever
T022078	CP0111 CHLA	1" Hex. X 4 1/4"	Closed Handle	Outside trigger
T022079	CP0111 THLA	1" Hex. X 4 1/4"	Double grip	Outside trigger
T019354	CP0111 Ext. Hdle.	1" Hex. X 4 1/4"	Extended double grip	Outside trigger
8900 0001 42	CP0111 CHIT PIC (7/8")	7/8" Hex. X 3 1/4"	Closed Handle	Inside trigger

# EXPLODED VIEW CP 0111 BACKHEADS



Ref. No.	Ordering No.	Qty.	Description
1			Backhead (Double grip) complete (Includes item Nos. 2, 3, 5, 6, 7, 8, 9, 10, 12, 13, 14, 15 & 16)
2	R070110	1	Lever - Throttle valve
3	R005716	2	Handle - Rubber
4	R070105		Backhead (Double grip) (Includes item Nos. 8, 9 & 10)
5	R000560	1	Plug - Oil
6	R133433	1	Pin - Trigger
7	R075227	1	Nipple - Air inlet
8		1	Backhead
9	R070106	1	Bushing - Throttle valve
10	R070109	1	Bushing - Throttle valve stem
11	R045370	1	Valve - Throttle (Includes item No.12, 13, 14 & 15)
12		1	Valve - Throttle
13		1	Seal - Valve
14		1	Retainer - Seal
15		1	Spring - Throttle valve
16	R070108	1	Plug - Throttle valve bushing
17			Backhead complete - Outside trigger (Includes item No. 7, 19, 20, 21, 22, 23, 24, 25, 26, 27, 28 & 29)
18	R070114	1	Backhead (Includes item No. 19, 23 & 24)
19		1	Backhead
20	A043627	1	Pin - Lever
21	P003070	1	Lever - Throttle valve
22	P005156	1	Pin - Push
23	P005154	1	Bushing - Throttle valve
24	P005157	1	Bushing - Push pin
25		1	O-ring
26		1	Valve - Throttle
27		1	Retainer - O-ring
28		1	Spring - Throttle
29	P001884	1	Plug - Throttle valve
30			Backhead complete - Inside trigger (Includes item No. 7, 20,22, 23, 24, 25, 26, 27, 28, 29 ,31& 32)
31		1	Backhead
32	R093103	1	Lever - Throttle valve
33	R079043		Backhead and Extension handle complete (Includes item No. 5, 7, 10, 12, 13, 14, 15, 35, 36, 37, 38 & 39)
35		1	Handle - Extension
36	R004976	1	Plug - Oil regulating
37	P001903	1	Lever - Throttle valve
38	R085220	1	Cam - Lever
39	P001921	2	Pin - Lever
63	Z8249416	1	Throttle valve complete (Includes item No. 25, 26, 27 & 28)

# EXPLODED VIEW CP 0111



Ref. No.	Ordering No.	Qty.	Description
40	R070103	1	Valve
41	R070104	1	Block - Valve
42	R070102	1	Piston
43		1	Cylinder (Includes item No. 44 & 45)
44		1	Cylinder
45	R070112	1	Bushing - Chuck (1" Hex x 4 1/4")
46	P006099	4	Nut - Backhead bolt (9/16"-18)
47	R070111	4	Bolt - Backhead (9/16" - 18)
48	R092500	1	Latch type retainer (Includes item No.49, 50, 51, 52, 53, 54, 55, 56, 57, 58 & 59)
49		1	Head - Latch retainer
50	R000555	1	Nut - Head latch (1/2" - 13)
51	C036717	1	Lockwasher - Head latch
52	P002123	1	Bolt - Head latch (1/2" - 13 x 2 3/4")
53	R092498	1	Bolt - Latch retainer (5/8"-18 x 3 1/2")
54	R092499	1	Bushing - Latch retainer bolt
55	P081091	1	Nut - Latch retainer (5/8" - 1.8)
56	R086982	1	Spring - Latch retainer plunger
57	R092497	1	Plunger - Latch retainer
58	R048540	1	Bushing - Latch retainer
59	R092493	1	Retainer - Latch
60		1	Cylinder (Includes item No. 61 & 62)
61		1	Cylinder
62	F813919	1	Bushing - Chuck (7/8" Hex x 3 1/4")