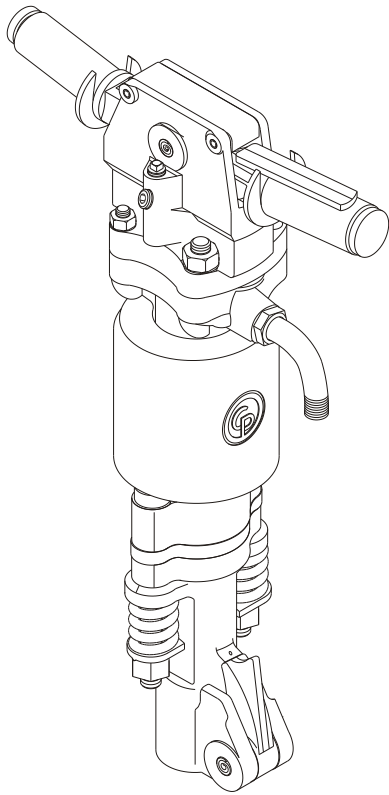




# **Spare Parts List**

## **CP 1210 Demolition tool**



[www.cp.com](http://www.cp.com)

 **Chicago  
Pneumatic**

**2005-09**  
**No. 9800 0524 01**

© Copyright  
Stockholm, Sweden

**Contents****Pages**

General information.....	4
Exploded views and tables .....	6-9

## GENERAL INFORMATION

Welcome! Protect your investment in the world's finest air tools. Use genuine CP replacement parts.

The purchase of replacement parts for your CP tools deserves the same good judgment that resulted in the buying of the tools themselves. Each genuine CP part is made from carefully selected and inspected material, subjected to sophisticated machinery and finishing processes and heat-treated to produce just the right combination of hardness, ductility and impact resistance for its intended use. All parts are manufactured concurrently with those used in production tools, and are identical to them. The use of parts other than genuine CP replacement parts can lead to substandard performance, early failure, possible damage of other parts and, in some instances, unsafe conditions.

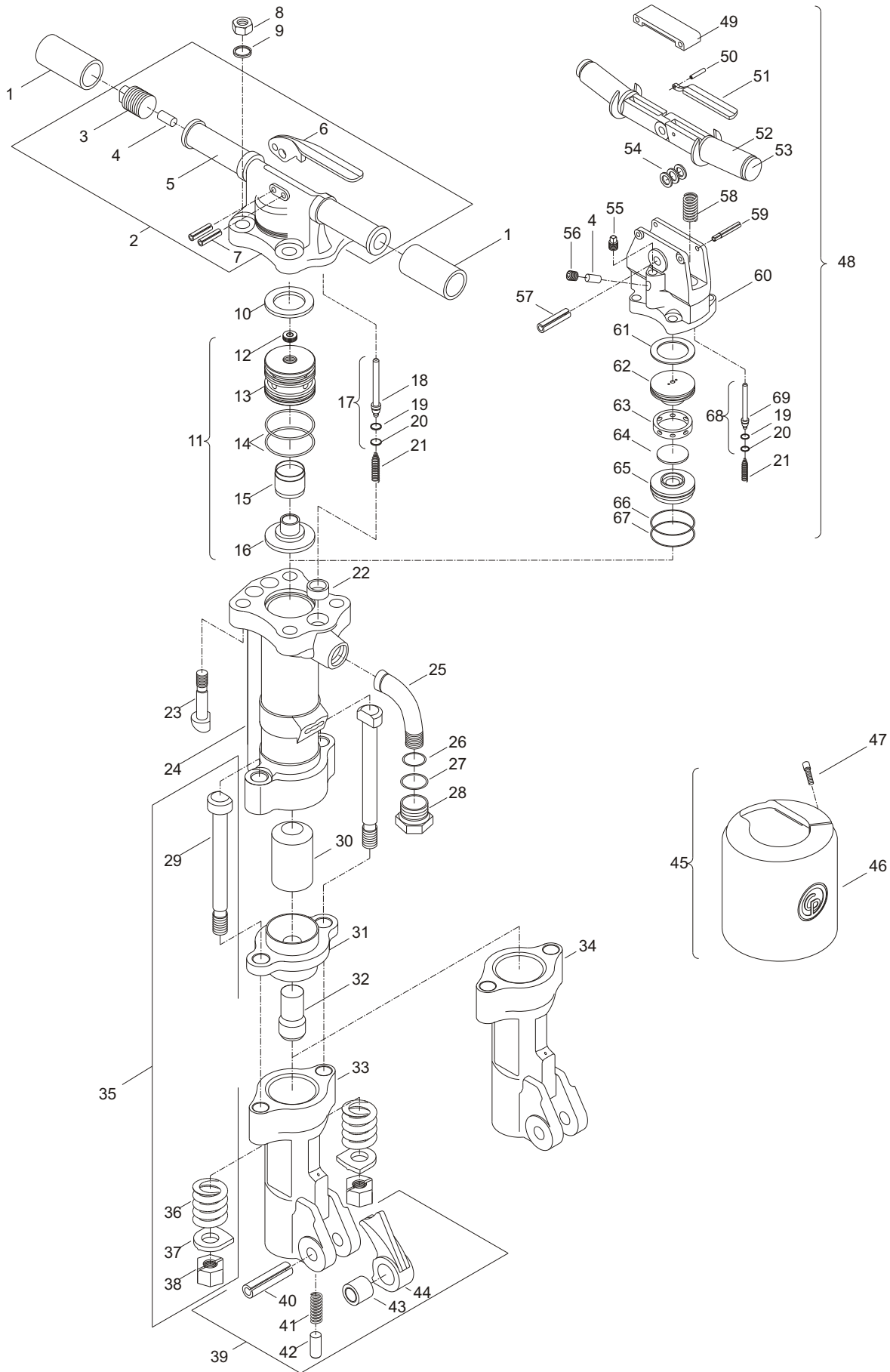
To reduce the risk of injury, read and understand the Operating Instructions manual and the percussion tool safety instructions before operating the tool.

CP 1210 is a pneumatic tool designed for light-to medium-constructions and plant maintenance work such as demolition of floors, pavement, macadam, frozen ground and masonry walls.

This tool is ideal for breaking bridge decks. It has a four-bolt back head design.

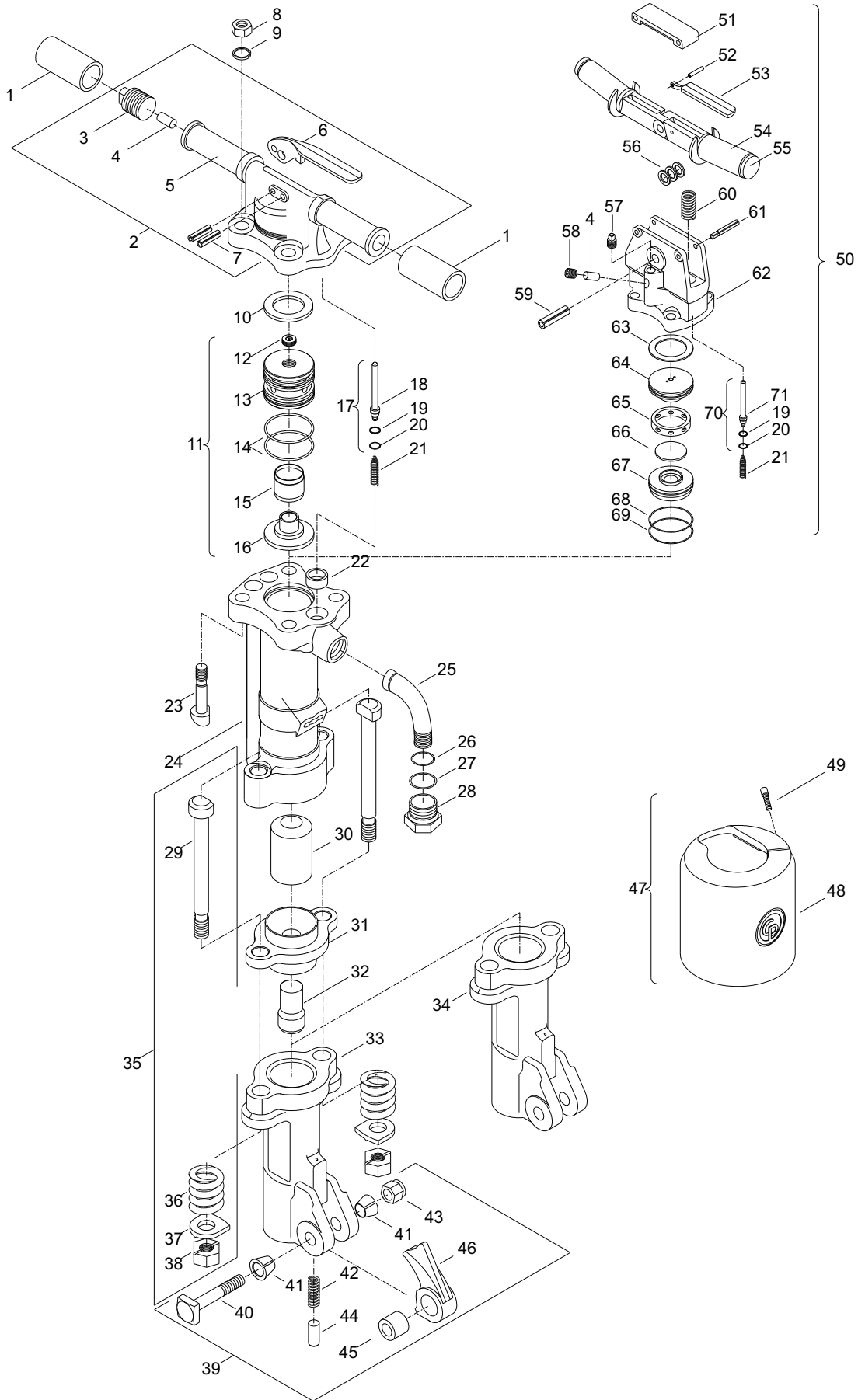


# EXPLODED VIEW OF CP 1210 1" S & VRS



Ref. No.	Ordering No.	Qty.	Description
<b>CP 1210 1" S &amp; VRS</b>			
1	F816345	2	Grip - Rubber
2	F815274	1	Backhead assembly (Includes item No. 3, 4, 5, 6 & 7)
3	R075031	1	Plug - Oil
4	C036901	1	Plug - Oil regulator
5		1	Backhead
6	F814725	1	Lever - Throttle
7	R133433	2	Pin - Spirol
8	R114525	4	Nut - Hex.
9	C065384	4	Lock washer
10	R110209	1	Spacer - Valve case
11	F815071	1	Valve case assembly (Includes item No. 12, 13, 14, 15 & 16)
12	P009876	1	Pug - Pipe
13	R110206	1	Case - Valve
14	R110210	2	O-ring
15	R110208	1	Valve
16	R110207	1	Cover - Valve case
17	R092894	1	Valve - Throttle (Includes item No. 18, 19 & 20)
18		1	Valve - Throttle
19	R098368	1	Seal - Throttle valve
20	R098369	1	Ring - Valve seal retaining
21	R005717	1	Spring - Throttle valve
22	R110215	1	Seal - Cylinder
23	R110214	4	Bolt - Backhead
24		1	Cylinder
25	F814720	1	Swivel - Air inlet
26	C106884	1	O-ring
27	R056605	1	O-ring
28	R075599	1	Nut - Inlet swivel
29	R110217	2	Bolt - Fronthead
30	R110212	1	Piston
31	R110203	1	Bushing - Anvil block
32	R085427	1	Block - Anvil
33	F815719	1	Fronthead (for UK)
34	F815478	1	Fronthead (for USA)
35	Z3627447	1	Side bolt kit, includes one pair of complete bolt assembly (Item No. 29, 36, 37 & 38)
36	R093698	2	Spring - Fronthead
37	R041073	2	Lock - Fronthead nut
38	R110218	2	Nut - Fronthead bolt
39	Z8318447	1	Latch kit (Includes item No.40, 41, 42, 43, 44, 45 & 46)
40	0108 1103 04	1	Pin - Roll
41	R086982	1	Spring - Plunger
42	R092497	1	Plunger - Latch
43	R048540	1	Bushing - Retainer latch
44	R092493	1	Latch - Retainer
45	F814928	1	Muffler complete (Includes item No. 46 & 47)
46		1	Muffler
47	R117415	3	Screw - Allen cap
48	R145777	1	Backhead assembly (Includes item No. 49 to 69 & 4,19, 20 & 21)
49	R157669	1	Cover - Buffer
50	R145866	1	Pin - Lever
51	R145781	1	Lever
52	R145788	2	Grip
53	R146266	2	Handle
54	R145861	3	Steel washer
55	R004975	1	Oil - Plug square head
56	Q3217400	1	Plug
57	0108 1535 00	1	Pin - Roll
58	R145863	2	Spring
59	R157670	2	Pin - Stepped
60	R145783	1	Backhead
61	R147755	1	Gasket
62	R138096	1	Upper valve lid
63	R138095	1	Valve case
64	R138094	1	Valve
65	R145786	1	Lower valve lid
66	C102642	2	O-ring
67	C125868	1	O-ring
68	R145782	1	Throttle valve (Includes item No. 69, 19 & 20)
69		1	Throttle valve

# EXPLODED VIEW OF CP 1210 1.12, 1.25 S & VRS





Ref. No.	Ordering No.	Qty.	Description
<b>CP 1210 1.12 &amp; 1.25" S &amp; VRS</b>			
1	F816345	2	Grip - Rubber
2	F815274	1	Backhead assembly (Includes item No. 3, 4, 5, 6 & 7)
3	R075031	1	Plug - Oil
4	C036901	1	Plug - Oil regulator
5		1	Backhead
6	F814725	1	Lever - Throttle
7	R133433	2	Pin - Spirol
8	R114525	4	Nut - Hex.
9	C065384	4	Lock washer
10	R110209	1	Spacer - Valve case
11	F815071	1	Valve case assembly (Includes item No. 12, 13, 14, 15 & 16)
12	P009876	1	Plug - Pipe
13	R110206	1	Case - Valve
14	R110210	2	O-ring
15	R110208	1	Valve
16	R110207	1	Cover - Valve case
17	R092894	1	Valve - Throttle (Includes item No. 18, 19 & 20)
18		1	Valve - Throttle
19	R098368	1	Seal - Throttle valve
20	R098369	1	Ring - Valve seal retaining
21	R005717	1	Spring - Throttle valve
22	R110215	1	Seal - Cylinder
23	R110214	4	Bolt - Backhead
24		1	Cylinder
25	F814720	1	Swivel - Air inlet
26	C106884	1	O-ring
27	R056605	1	O-ring
28	R075599	1	Nut - Inlet swivel
29	R047970	2	Bolt - Fronthead
30	R110212	1	Piston
31	R156914	1	Bushing - Anvil block
32	R156961	1	Block - Anvil
33	R047969	1	Fronthead (1 1/4" Hex.)
34	R047968	1	Fronthead (1 1/8" Hex.)
35	Z3628445	1	Side bolt kit, includes one pair of complete bolt assembly (Item No. 29, 36, 37 & 38)
36	R047971	2	Spring - Fronthead
37	R090584	2	Lock - Fronthead nut
38	R005721	2	Nut - Fronthead bolt
39	Z8319445	1	Latch kit (Includes item No. 40, 41, 42, 43, 44, 45 & 46)
40	R076853	1	Retainer - Bolt
41	R076562	2	L.R.B. Bushing
42	R086982	1	Spring - Plunger
43	P008999	1	Lock nut
44	R092497	1	Plunger - Latch
45	R055818	1	Bushing
46	R092493	1	Retainer - Latch
47	R156962	1	Muffler complete (Includes item No. 48 & 49)
48		1	Muffler
49	R117415	4	Screw - Allen cap
50	R145777	1	Backhead assembly (Includes item No. 51 to 71 & 4, 19, 20 & 21)
51	R157669	1	Cover - Buffer
52	R145866	1	Pin - Lever
53	R145781	1	Lever
54	R145788	2	Grip
55	R146266	2	Handle
56	R145861	3	Steel washer
57	R004975	1	Oil - Plug, square head
58	Q3217400	1	Plug
59	0108 1535 00	1	Pin - Roll
60	R145863	2	Spring
61	R157670	2	Pin - Stepped
62	R145783	1	Backhead
63	R147755	1	Gasket
64	R138096	1	Upper valve lid
65	R138095	1	Valve case
66	R138094	1	Valve
67	R145786	1	Lower valve lid
68	C102642	2	O-ring
69	C125868	1	O-ring
70	R145782	1	Throttle valve (Includes item No. 71, 19 & 20)
71		1	Throttle valve



**2005-09**  
**No. 9800 0524 01**

© Copyright  
Stockholm, Sweden

