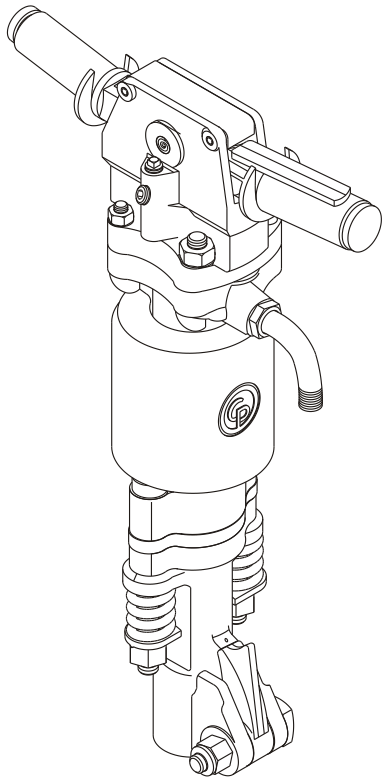




# **Spare Parts List**

## **CP 1240 Demolition tool**



[www.cp.com](http://www.cp.com)

 **Chicago  
Pneumatic**

**2005-09**  
**No. 9800 0536 01**

© Copyright  
Stockholm, Sweden

**Contents****Pages**

General information.....	4
Exploded views and tables .....	6-7

## GENERAL INFORMATION

Welcome! Protect your investment in the world's finest air tools. Use genuine CP replacement parts.

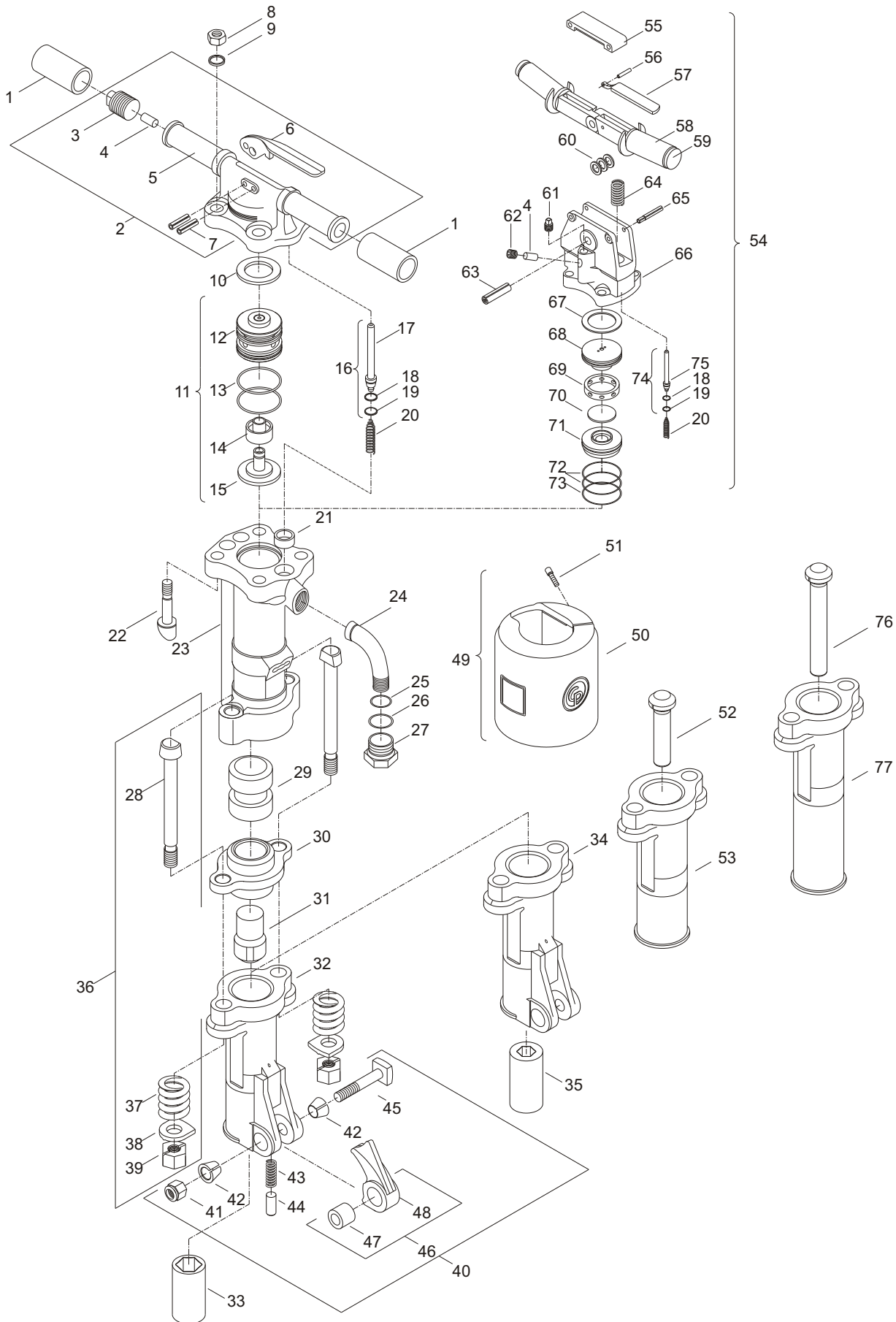
The purchase of replacement parts for your CP tools deserves the same good judgment that resulted in the buying of the tools themselves. Each genuine CP part is made from carefully selected and inspected material, subjected to sophisticated machinery and finishing processes and heat-treated to produce just the right combination of hardness, ductility and impact resistance for its intended use. All parts are manufactured concurrently with those used in production tools, and are identical to them. The use of parts other than genuine CP replacement parts can lead to substandard performance, early failure, possible damage of other parts and, in some instances, unsafe conditions.

To reduce the risk of injury, read and understand the Operating Instructions manual and the percussion tool safety instructions before operating the tool.

CP 1240 is a pneumatic tool designed to deliver the power and durability necessary for a variety of construction and plant maintenance work such as breaking heavy concrete, reinforced concrete, frozen ground, macadam, boulders and pavement. It has a four-bolt back head design.



# EXPLODED VIEW OF CP 1240 S & VRS



Ref. No.	Ordering No.	Qty.	Description
1	F816345	2	Grip - Rubber
2	F815126	1	Backhead assembly (Includes item No. 2, 3, 4,5,6 & 7)
3	R075031	1	Plug - Oil
4	C036901	1	Plug - Oil regulator
5		1	Backhead
6	F814725	1	Lever - Throttle
7	R133433	2	Pin - Throttle lever
8	R003069	4	Nut - Hex.
9	R000550	4	Lock washer
10	R085259	1	Washer - Take up
11	R122977	1	Valve case assembly (Includes item No. 12, 13, 14 & 15)
12	R092904	1	Case - Valve
13	P083094	2	O-ring
14	R122975	1	Valve
15	R122976	1	Guide - Valve
16	R092894	1	Valve - Throttle (Includes item No. 17, 18 & 19)
17		1	Valve - Throttle
18	R098368	1	Seal - Throttle valve
19	R098369	1	Ring - Valve seal retaining
20	R005717	1	Spring - Throttle valve
21	R047965	1	Seal - Cylinder
22	R092896	4	Bolt - Backhead
23		1	Cylinder
24	R085269	1	Swivel - Air inlet
25	R110317	1	O-ring
26	P103521	1	O-ring
27	R000530	1	Nut - Inlet swivel
28	F037790	2	Bolt - Fronthead
29	R000127	1	Piston
30	R092907	1	Bushing - Anvil block
31	R096123	1	Block - Anvil
32	R092918	1	Fronthead (1 1/4" Hex.) (Includes item No. 33)
33	R040635	1	Bushing - Fronthead (1 1/4")
34	R092917	1	Fronthead (1 1/8" Hex.) (Includes item No. 35)
35	R090122	1	Bushing - Fronthead (1 1/8")
36	Z3629448	1	Side bolt kit, includes one pair of complete bolt assembly (Item No. 28, 37, 38 & 39)
37	R092915	2	Spring - Fronthead
38	R096059	2	Lock - Fronthead nut
39	F037789	2	Nut - Fronthead bolt
40	Z8320448	1	Latch kit (Includes item No. 41, 42, 43, 44, 45, 47 & 48)
41	P008999	1	Lock nut
42	R076562	2	Bushing - Retainer bolt
43	R092911	1	Spring - Latch plunger
44	R092910	1	Plunger - Retainer latch
45	R076853	1	Bolt - Retainer latch
46	R092909	1	Latch - Retainer complete (Includes item No. 47 & 48)
47	R050894	1	Bushing - Retainer latch
48		1	Latch - Retainer
49	K3206448	1	Muffler complete (Includes item No. 50 & 51)
50	F814004	1	Hood - Muffler
51	R117415	4	Screw - Allen cap
52	R043649	1	Block - Driving
53	R043644	1	Fronthead (Spike driver) (7.69")
54	R145778	1	Backhead assembly (Includes item No. 55 to 75 & 4, 18, 19 & 20)
55	R157669	1	Cover - Buffer
56	R145866	1	Pin - Lever
57	R145781	1	Lever
58	R145788	2	Grip
59	R146841	2	Handle
60	R145861	3	Steel washer
61	R004975	1	Oil - Plug sq.hd.
62	Q3217400	1	Plug
63	0108 1535 00	1	Pin - Roll
64	R147757	2	Spring
65	R157670	2	Pin - Stepped
66		1	Backhead
67	R147756	1	Gasket
68	R138490	1	Upper valve lid
69	R138489	1	Valve case
70	R138488	1	Valve
71	R145787	1	Lower valve lid
72	R137341	2	O-ring
73	R154983	1	O-ring
74	R145782	1	Throttle valve (Includes item No. 75, 18 & 19)
75		1	Throttle valve
76	R147441	1	Block - Driving - Ext. lg.
77	R147439	1	Fronthead (Spike driver) (12.69")



**2005-09**  
**No. 9800 0536 01**

© Copyright  
Stockholm, Sweden

