

# APT LT V4W WUX

---

## Spare parts list

## Portable Light Tower

APT LT V4W WUX s/n WUX911852 - WUX920095

Engine: D1105



# General information

This spare parts list applies to the following:

Part number	Description
8161003333	APT LT V4W 60HZ US

Use only authorized parts. Any damage or malfunction caused by the use of unauthorized parts is not covered by Warranty or Product Liability. Any unauthorized use or copying of the contents or any part thereof is prohibited. This applies in particular to trademarks, model denominations, part numbers, and drawings.

## Instructions for use

This spare parts list contains no safety regulations and is merely intended to assist in the ordering of spare parts.

For information about operating, servicing, or repairing, the relevant Safety and operating instructions must be consulted at all costs.

Please observe the safety instructions listed in the relevant Safety and operating instructions!

Kits and consumables ..... 1

**Service**

3002608850\_01 Service pak 200 hours ..... 3  
3002608860\_01 Service pak 1000 hours ..... 5  
Engine Oil ..... 7  
Coolant ..... 9

**Mechanical**

1625091813\_03 Frame assembly ..... 11  
1625091823\_00 Air inlet light tower accessories ..... 13  
1625091814\_03 Canopy ..... 15  
1625092173\_01 Door assembly ..... 17  
1625091824\_01 Mast system ..... 19  
1094155781\_00 Support lamp ..... 21  
1625091842\_00 Winch ..... 23  
1625092174\_01 Lifting ..... 25  
1625092176\_02 Road light ..... 27  
1625090058\_02 Cold start ..... 29  
1625091763\_00 No option-datap ..... 31  
1625092162\_01 Combo eye ..... 33  
1625054297\_03 Markings ..... 35  
1625091844\_01 Markings ..... 37  
1092629700\_04 Lamp 1000W ..... 39

**Engine**

1625092164\_00 Engine ..... 41  
1625091895\_02 Alternator ..... 43  
1094299900\_01 Alternator ..... 45  
1625091822\_02 Cooling ..... 47  
1625091816\_01 Fuel system ..... 49  
1625091815\_04 Exhaust system ..... 51

**Electric system**

1625091826\_01 Electrical system ..... 53  
1625091896\_03 Lamp - 60 Hz ..... 55  
1094269880\_01 Ballast box ..... 57  
1092629700\_03 Lamp ..... 59  
1625091897\_00 Cubicle assembly - 60 Hz ..... 61  
1094243580\_02 Cubicle ..... 63

**Options / accessories**

1625091891\_02 Undercarriage assembly ..... 67  
1092876601\_01 Axle ..... 69  
1625080507\_00 Cubicle ..... 71  
1094318980\_01 Cubicle ..... 73  
1625080503\_00 Winch switch ..... 77  
1094251880\_00 Junction box ..... 79  
1625091983\_00 Battery switch ..... 81

## Kits and consumables

Kits and consumables	Item Number	Description	Change Interval / Quantity		
			200 hours	1000 hours	When Needed
Maintenance Kit	1	Service pak 200 hrs	1		No
	2	Service pak 1000 hrs		1	
Engine Oil Use Genoil 15W40	3	Can Genoil 15W40 5 Liter/1.32 Gallon	-	-	No
	4	Can Genoil 15W40 20 Liter/5.3 Gallon			
	5	Can Genoil 5W40 5 Liter/1.32 Gallon			
	6	Can Genoil 5W40 20 Liter/5.3 Gallon			
Use Genoil 15W40	7	Can Genoil Engine green 5 Liter/1.32 Gallon			
	8	Can Genoil Engine green 20 Liter/5.3 Gallon			
	9	Can Gencool EG concentrate 5 Liter/1.32 Gallon			
Coolant Use Gencool EG	10	Can Gencool EG 5 Liter/1.32 Gallon			
	11	Can Gencool EG 20 Liter/5.3 Gallon			

Refer to Parts Online for the most up to date information. The printed information might be outdated.

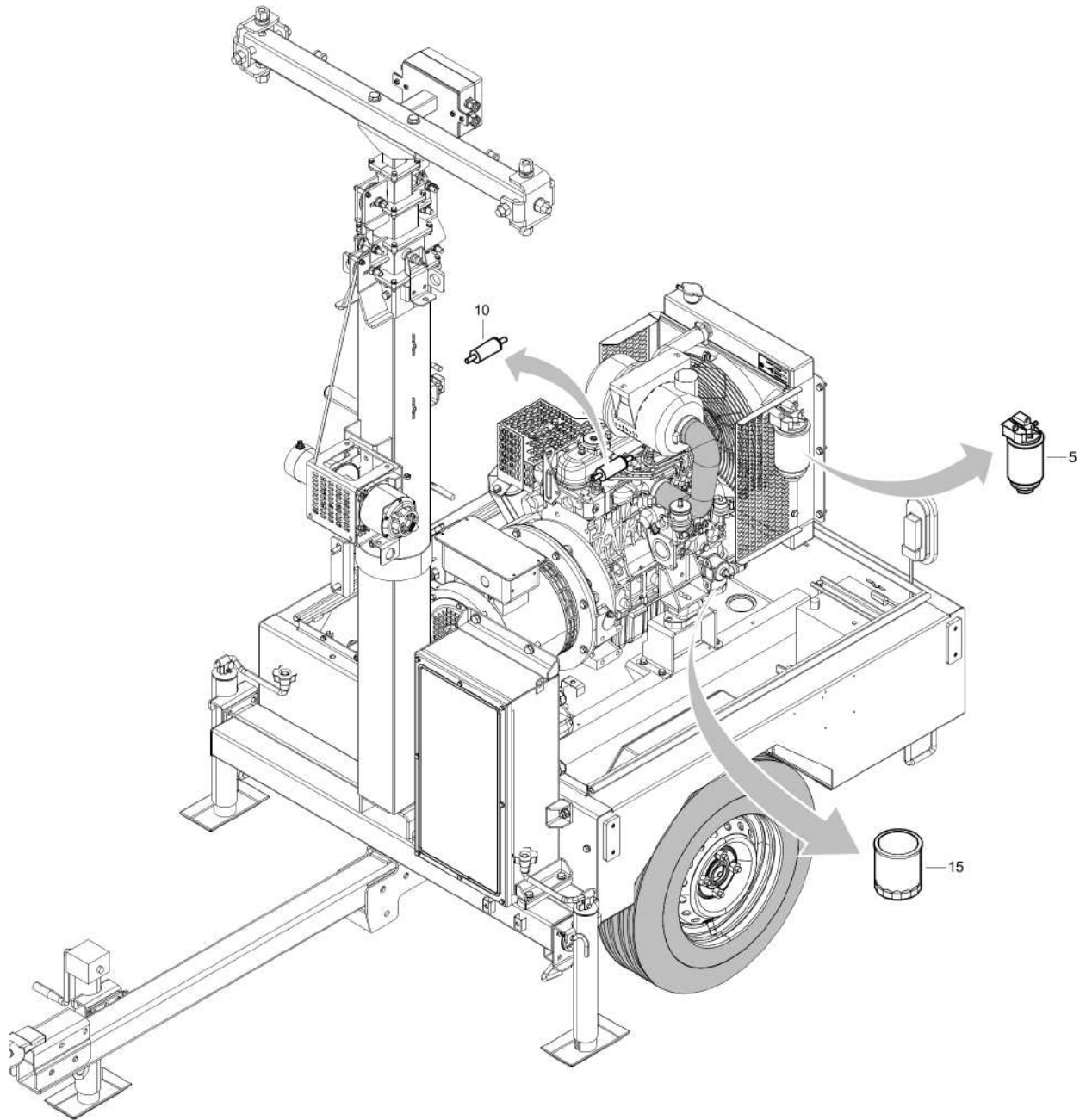
Mon Jun 01 13:16:06 UTC 2020

Item	Part No.	Name	Qty	L
1	3002608850	Service pak 200 hours	1	
2	3002608860	Service pak 1000 hours	1	
3	1626226200	Can Genoil 15W40 5 Liter/1.32 Gallon	1	
4	1626226300	Can Genoil 15W40 20 Liter/5.3 Gallon	1	
5	1626225801	Can Genoil 5W40 5 Liter/1.32 Gallon	1	
6	1626225901	Can Genoil 5W40 20 Liter/5.3 Gallon	1	
7	1638074000	Can Genoil Engine Green 5 Liter/1.32 Gallon	1	
8	1638075000	Can Genoil Engine Green 20 Liter/5.3 Gallon	1	
9	1626225701	Can Gencool EG concentrate 5 Liter/1.32 Gallon	1	
10	1626225501	Can Gencool EG 5 Liter/1.32 Gallon	1	
11	1626225601	Can Gencool EG 20 Liter/5.3 Gallon	1	

Refer to Parts Online for the most up to date information. The printed information might be outdated.

Mon Jun 01 13:16:06 UTC 2020

**Service** 3002608850\_01 Service pak 200 hours



Refer to Parts Online for the most up to date information. The printed information might be outdated.

Mon Jun 01 13:16:07 UTC 2020

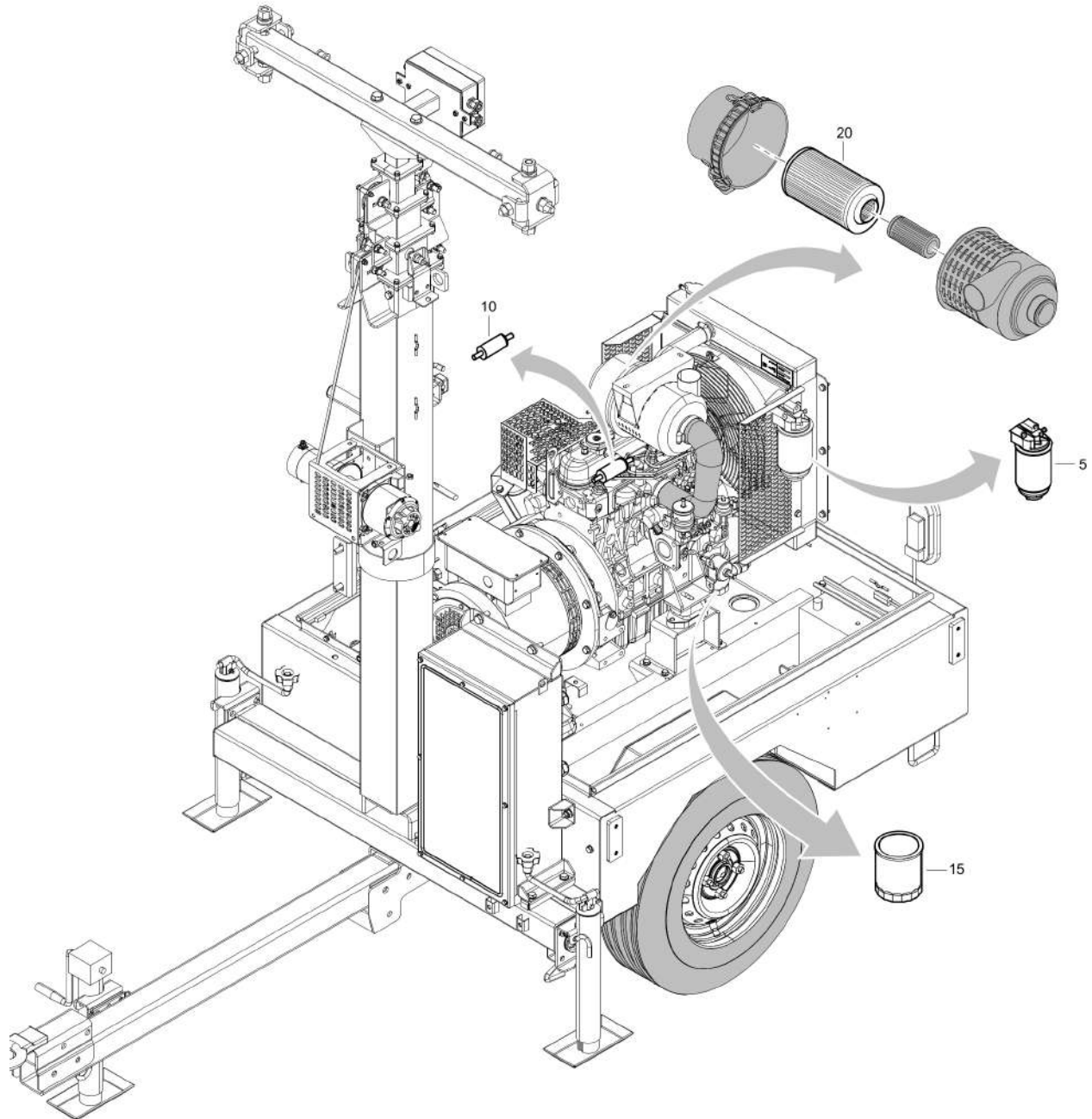
Item	Part No.	Name	Qty	L
-	3002608850	Service pak 200 hours	-	
5	-	Oil filter kubota	1	
10	-	Pre fuel filter	1	
15	-	Fuel filter	1	

---

Refer to Parts Online for the most up to date information. The printed information might be outdated.

Mon Jun 01 13:16:07 UTC 2020

**Service** 3002608860\_01 Service pak 1000 hours



Refer to Parts Online for the most up to date information. The printed information might be outdated.

Mon Jun 01 13:16:07 UTC 2020



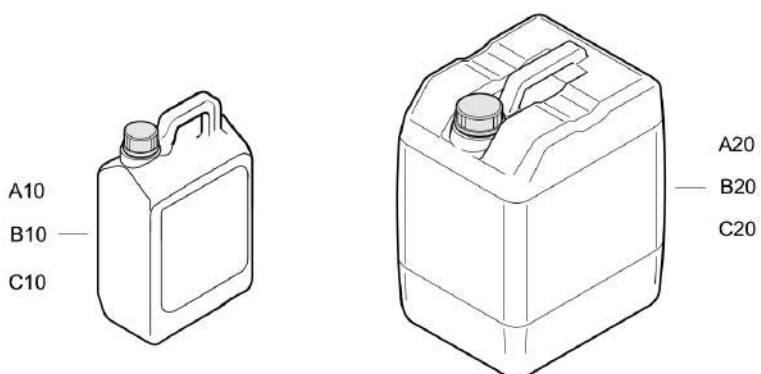
Item	Part No.	Name	Qty	L
-	3002608860	Service pak 1000 hours	-	
5	-	Oil filter kubota	1	
10	-	Pre fuel filter	1	
15	-	Fuel filter	1	
20	-	Element air filter multi brand	1	

---

Refer to Parts Online for the most up to date information. The printed information might be outdated.

Mon Jun 01 13:16:07 UTC 2020

**Service** Engine Oil

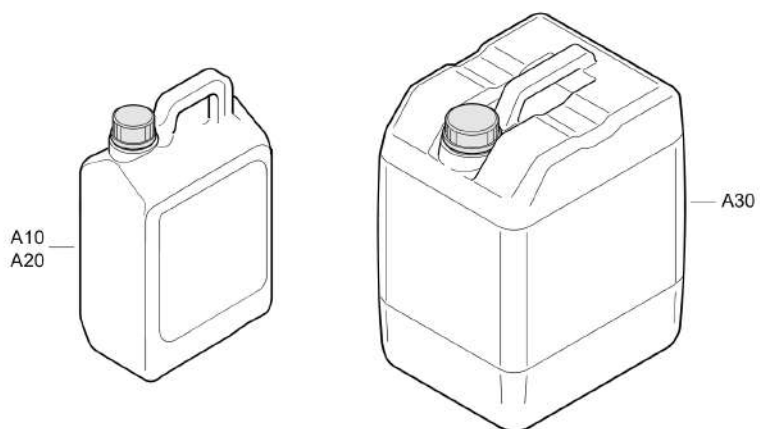


Item	Part No.	Name	Qty	L
Not Shown	-	Genoil Performance	AR	
A10	1626226200	Can Genoil 15W40 5 Liter/1.32 Gallon	1	
A20	1626226300	Can Genoil 15W40 20 Liter/5.3 Gallon	1	
Not Shown	-	Genoil Engine Plus	AR	
B10	1626225801	Can Genoil 5W40 5 Liter/1.32 Gallon	1	
B20	1626225901	Can Genoil 5W40 20 Liter/5.3 Gallon	1	
Not Shown	-	Genoil Engine Green	AR	
C10	1638074000	Can Genoil Engine Green 5 Liter/1.32 Gallon	1	
C20	1638075000	Can Genoil Engine Green 20 Liter/5.3 Gallon	1	

Refer to Parts Online for the most up to date information. The printed information might be outdated.

Mon Jun 01 13:16:08 UTC 2020

**Service** Coolant



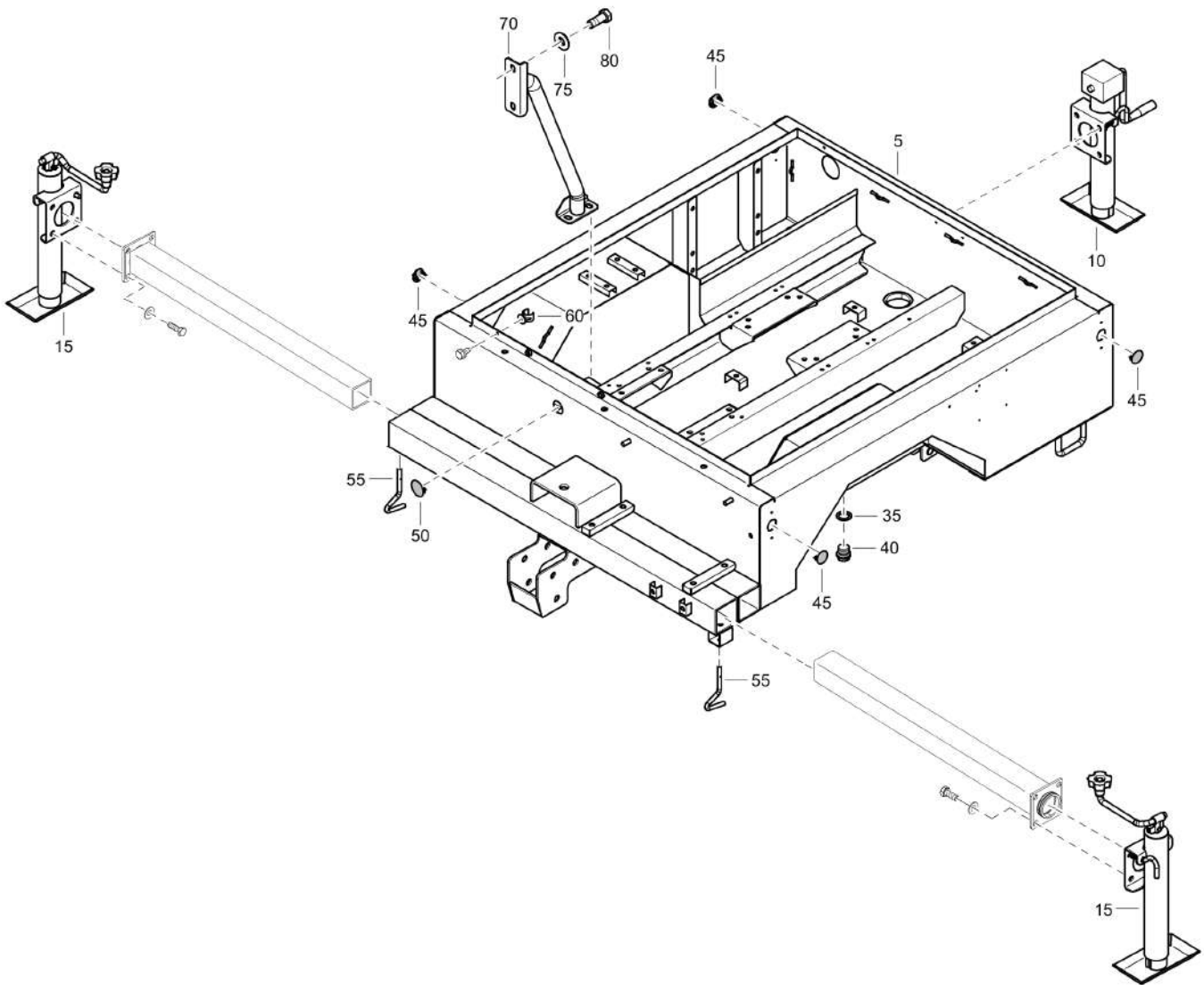
Item	Part No.	Name	Qty	L
Not Shown	-	Gencool	AR	
A10	1626225701	Can Gencool EG concentrate 5 Liter/1.32 Gallon	1	
A20	1626225501	Can Gencool EG 5 Liter/1.32 Gallon	1	
A30	1626225601	Can Gencool EG 20 Liter/5.3 Gallon	1	

---

Refer to Parts Online for the most up to date information. The printed information might be outdated.

Mon Jun 01 13:16:08 UTC 2020

**Mechanical** 1625091813\_03 Frame assembly



Refer to Parts Online for the most up to date information. The printed information might be outdated.

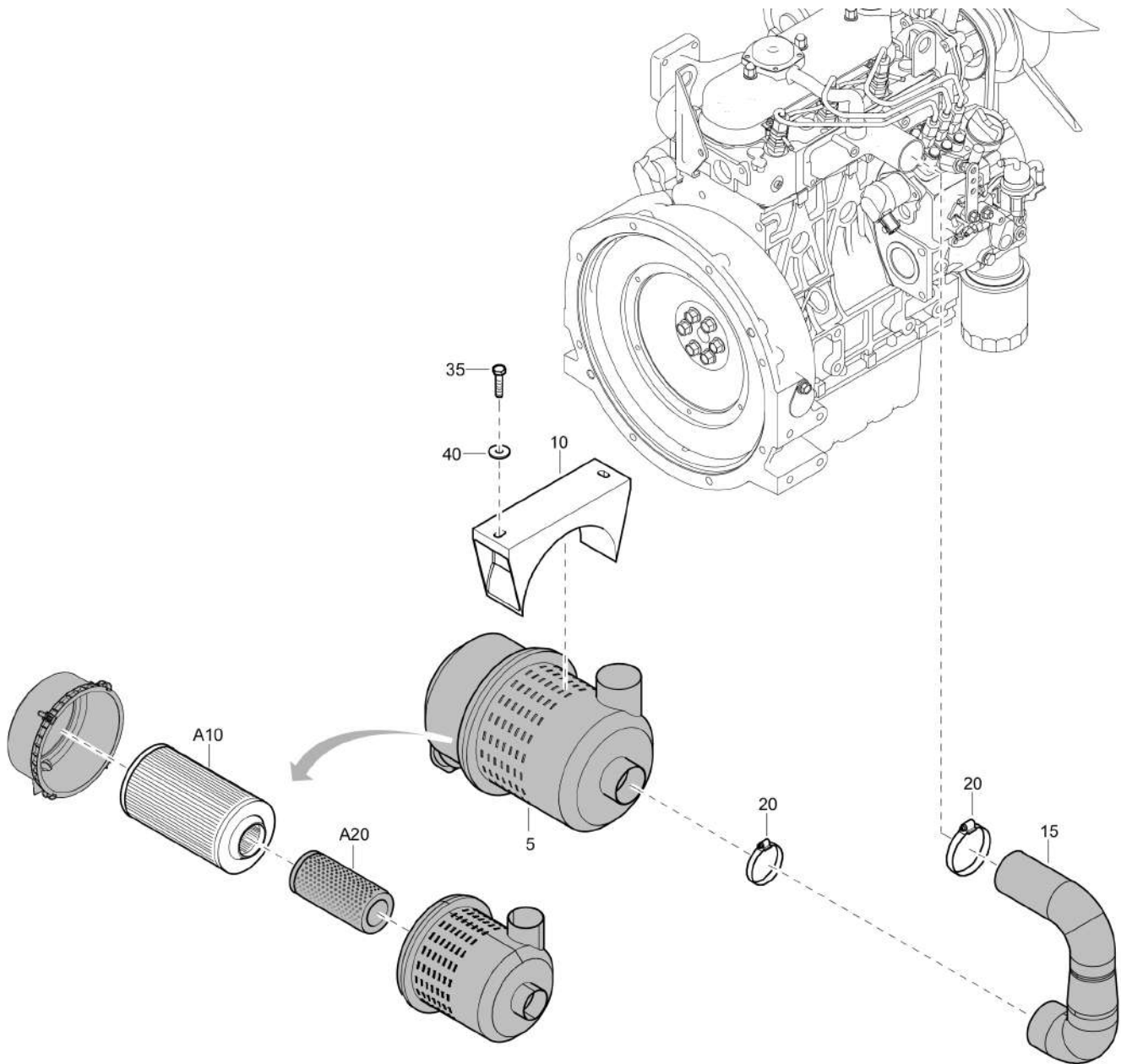
Mon Jun 01 13:16:09 UTC 2020

Item	Part No.	Name	Qty	L
5	1094233680	Frame assembly	1	
10	1092642100	Lifting jack	1	
15	1092642001	Lifting jack top wind	2	
35	0661103300	Sealing washer	1	
40	0686371602	Plug	1	
45	1604385800	Plug	4	
50	1626412100	Plug	1	
55	1092621000	Lock pin	2	
60	1088083210	Clamp	1	
70	1094239000	Supporting beam	1	
75	0300027492	Washer	4	
80	0147140103	Hexagon head screw	4	

Refer to Parts Online for the most up to date information. The printed information might be outdated.

Mon Jun 01 13:16:09 UTC 2020

**Mechanical** 1625091823\_00 Air inlet light tower accessories



Refer to Parts Online for the most up to date information. The printed information might be outdated.

Mon Jun 01 13:16:09 UTC 2020

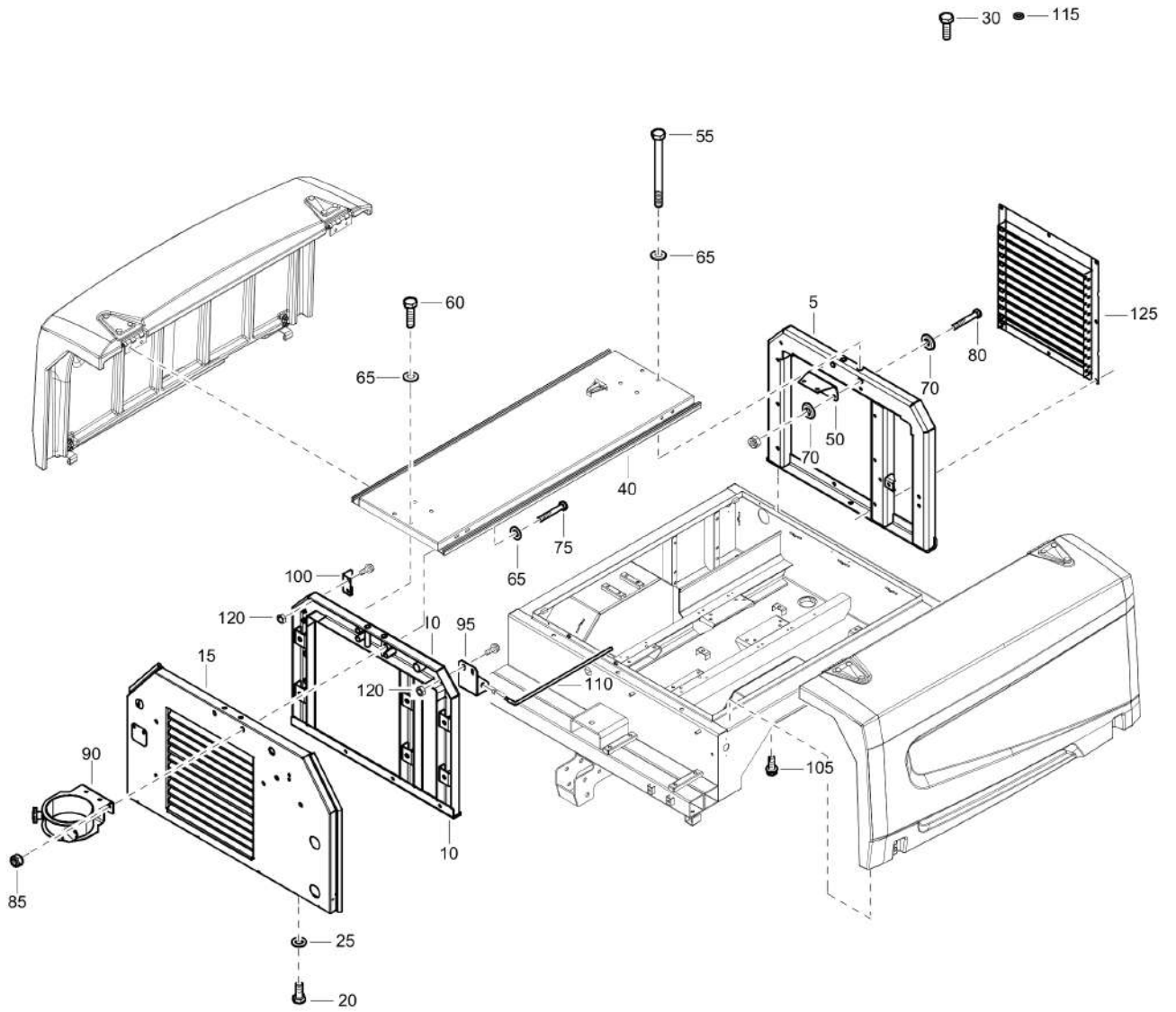


Item	Part No.	Name	Qty	L
5	1615712601	Air filter	1	
A10	2914930000	Air filter	1	
A20	2914930100	Safety cartridge	1	
10	1615712500	Support	1	
15	1094248201	Hose	1	
20	0347611300	Clamp	2	
35	0147132603	Hexagon bolt	2	
40	0300801900	Washer	2	

Refer to Parts Online for the most up to date information. The printed information might be outdated.

Mon Jun 01 13:16:09 UTC 2020

**Mechanical** 1625091814\_03 Canopy



Refer to Parts Online for the most up to date information. The printed information might be outdated.

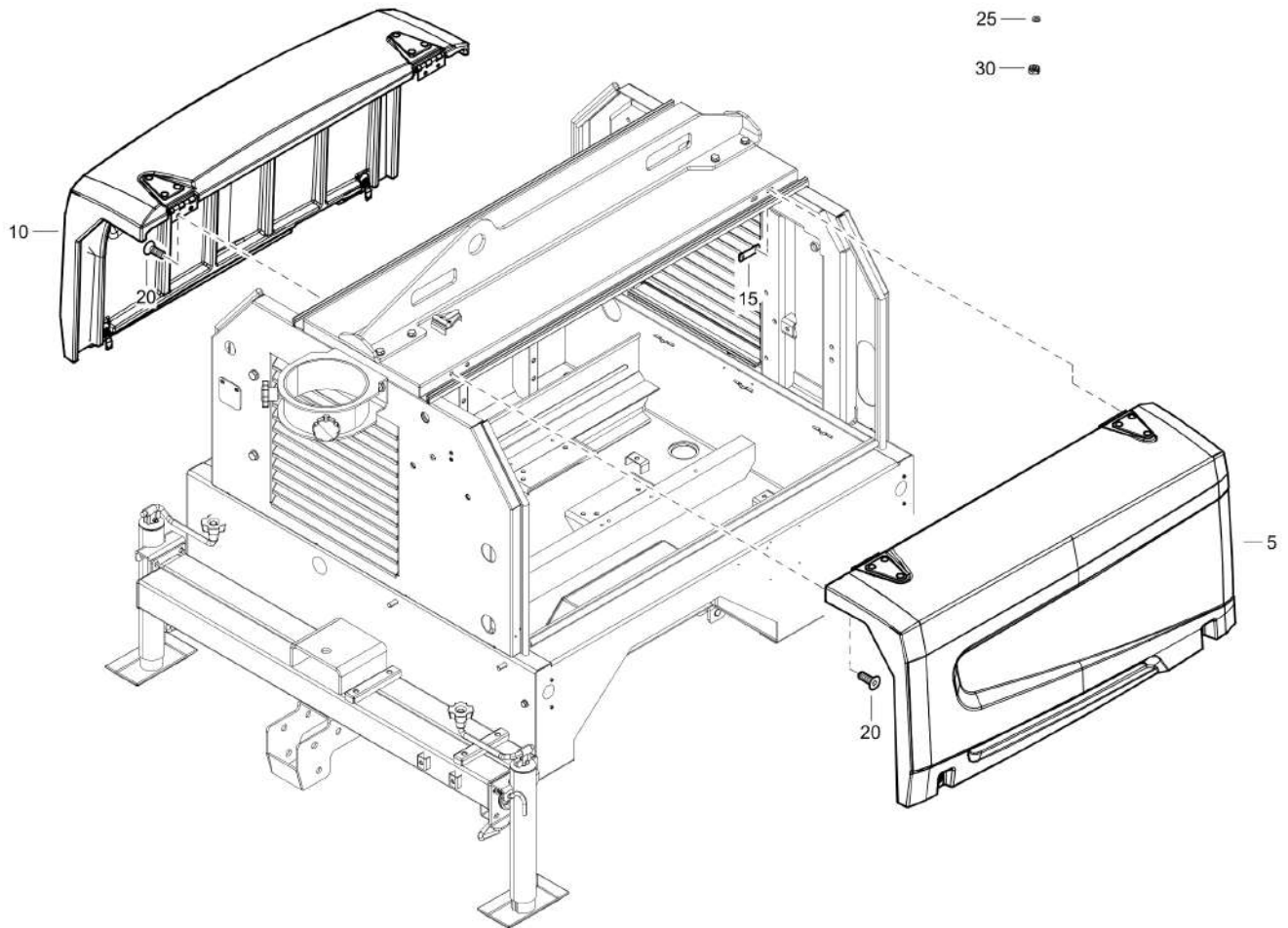
Mon Jun 01 13:16:10 UTC 2020

Item	Part No.	Name	Qty	L
5	1094233800	A frame	1	
10	1094235600	A frame	1	
15	1094235780	Inlet panle	1	
20	0147140015	Hexagon head screw	6	
25	0301235800	Plain washer	8	
30	0147140103	Hexagon head screw	2	
40	1094235880	Roof assembly	1	
50	1094225000	Plate	2	
55	0147138203	Screw cap hexagon	4	
60	0147136403	Hexagon head screw	4	
65	0301234400	Washer	8	
70	0300027492	Washer	8	
75	0147141203	Hexagon head screw	2	
80	0147141003	Hexagon head screw	2	
85	0291111200	Nut	4	
90	1094289280	Ring assembly	1	
95	1094248700	Support	1	
100	1094251400	Support	1	
105	1619276600	Screw bolt	18	
110	1094251300	Bar	2	
115	0301233500	Plain washer	4	
120	0291111000	Locknut	2	
125	1094255380	Outlet baffle	1	

Refer to Parts Online for the most up to date information. The printed information might be outdated.

Mon Jun 01 13:16:10 UTC 2020

**Mechanical** 1625092173\_01 Door assembly



Refer to Parts Online for the most up to date information. The printed information might be outdated.

Mon Jun 01 13:16:10 UTC 2020

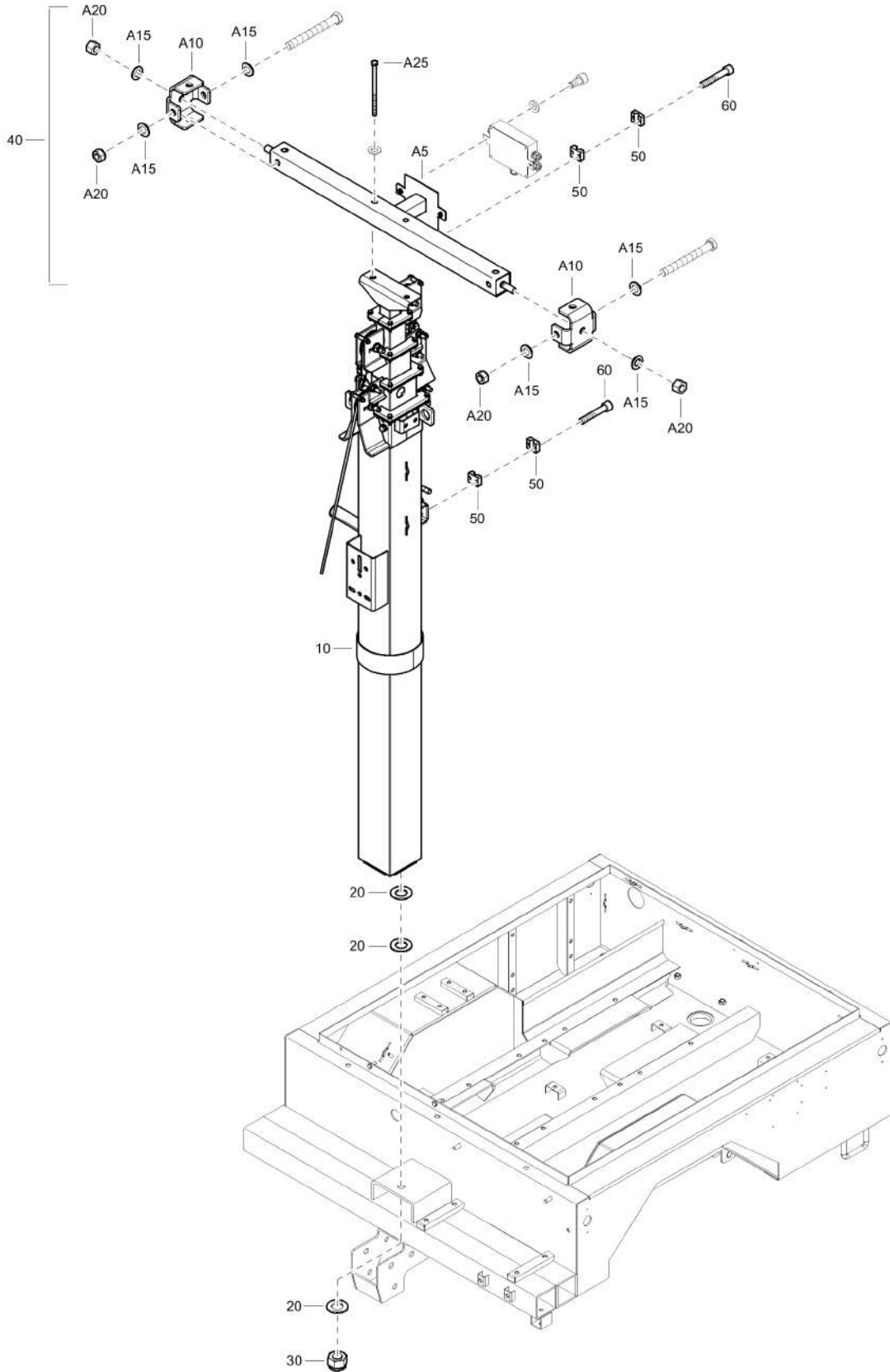
Item	Part No.	Name	Qty	L
5	1094255570	Door	1	
10	1094255670	Door	1	
15	1094149100	Support	2	
20	0216132403	Hexagon socket screw	8	
25	0301233500	Plain washer	4	
30	0291111000	Locknut	4	

---

Refer to Parts Online for the most up to date information. The printed information might be outdated.

Mon Jun 01 13:16:10 UTC 2020

**Mechanical** 1625091824\_01 Mast system

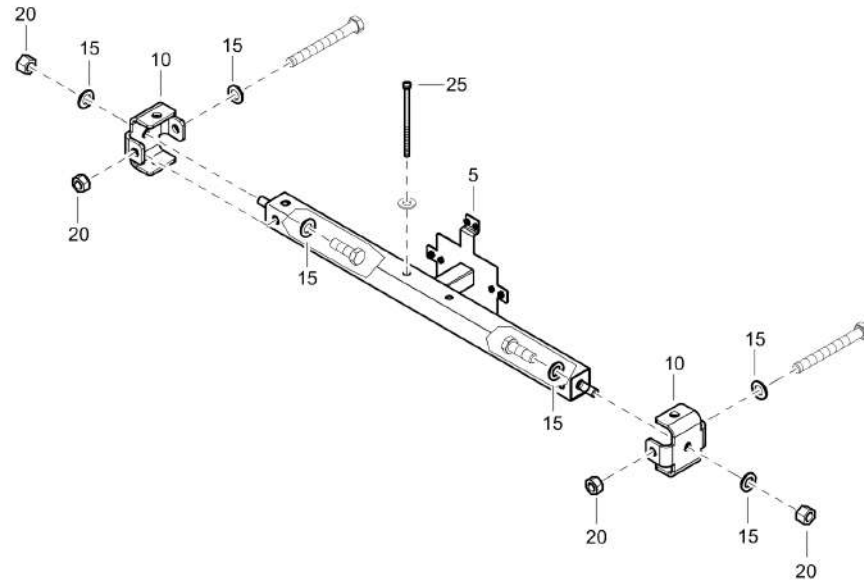


Refer to Parts Online for the most up to date information. The printed information might be outdated.

Mon Jun 01 13:16:10 UTC 2020

Item	Part No.	Name	Qty	L
10	1094248380	Mast assembly	1	
20	0300012930	Washer plain	3	
30	0291112843	Nut lock	1	
40	1094155781	Support lamp	1	
A5	1094155701	Beam	1	
A10	1094053200	Bracket lamp	2	
A15	0301238600	Spring washer	14	
A20	0291112836	Nut lock	6	
A25	0147196464	Hexagon head screw	2	
50	1094042000	Clamp	4	
60	0211125103	Hexagonal socket screw	8	

**Mechanical** 1094155781\_00 Support lamp



Refer to Parts Online for the most up to date information. The printed information might be outdated.

Mon Jun 01 13:16:11 UTC 2020



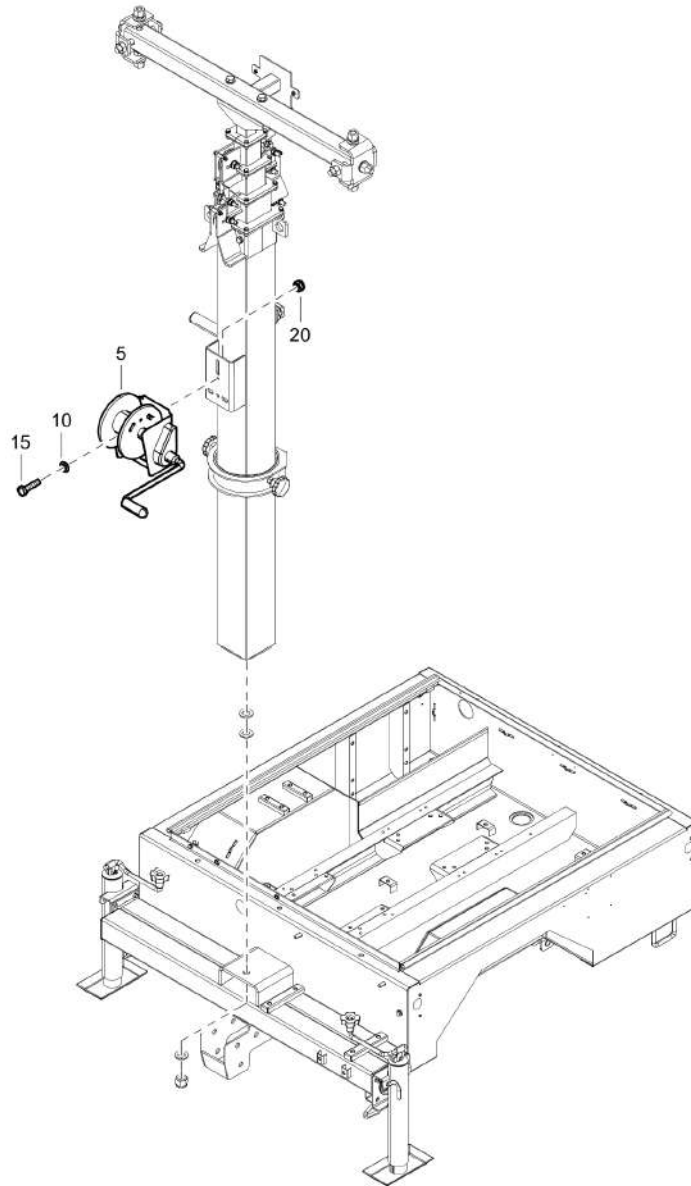
Item	Part No.	Name	Qty	L
5	1094155701	Beam	1	
10	1094053200	Bracket lamp	2	
15	0301238600	Spring washer	14	
20	0291112836	Nut lock	6	
25	0147196464	Hexagon head screw	2	

---

Refer to Parts Online for the most up to date information. The printed information might be outdated.

Mon Jun 01 13:16:11 UTC 2020

**Mechanical** 1625091842\_00 Winch



Refer to Parts Online for the most up to date information. The printed information might be outdated.

Mon Jun 01 13:16:11 UTC 2020

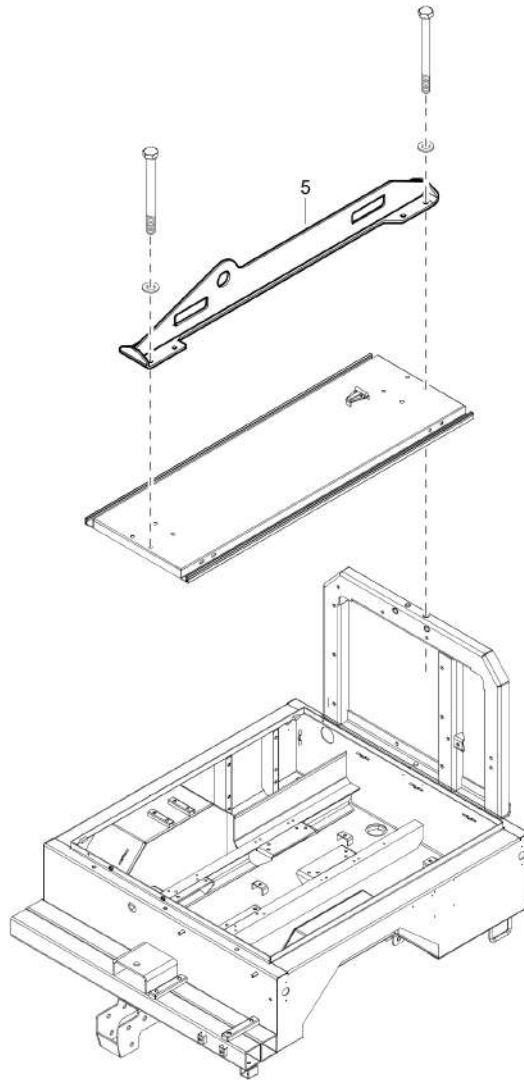
Item	Part No.	Name	Qty	L
5	1092870900	Winch	1	
10	0301234400	Washer	6	
15	0147136203	Hexagon head screw	3	
20	0291111100	Locknut	3	

---

Refer to Parts Online for the most up to date information. The printed information might be outdated.

Mon Jun 01 13:16:11 UTC 2020

**Mechanical** 1625092174\_01 Lifting

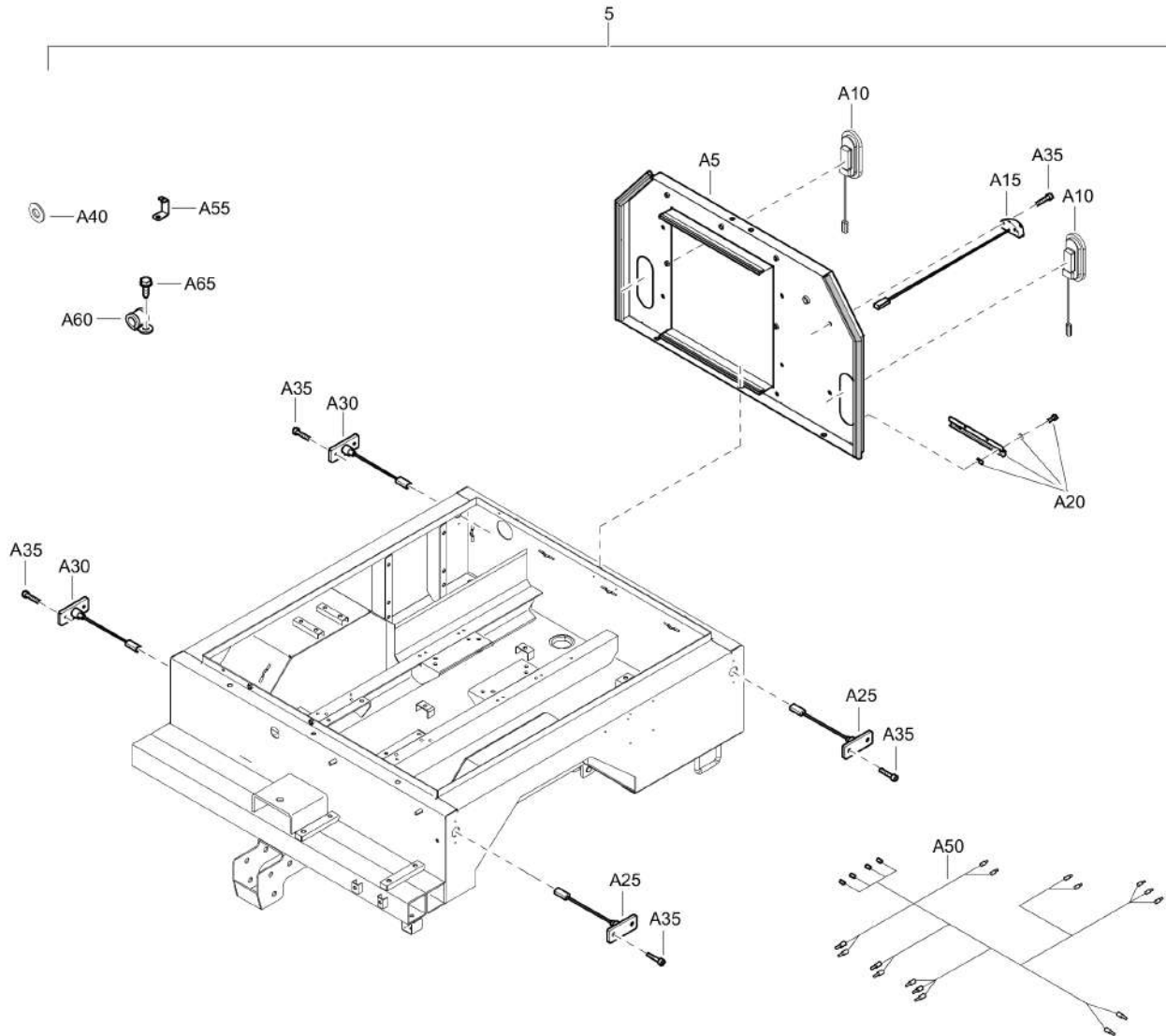


Refer to Parts Online for the most up to date information. The printed information might be outdated.

Mon Jun 01 13:16:12 UTC 2020

Item	Part No.	Name	Qty	L
5	1094358600	Super lifting beam	1	

**Mechanical** 1625092176\_02 Road light



Refer to Parts Online for the most up to date information. The printed information might be outdated.

Mon Jun 01 13:16:12 UTC 2020

Item	Part No.	Name	Qty	L
5	1625080481	Road light system	1	
A5	1094234280	Outlet panel	1	
A10	1092706900	Option - tail light	2	
A15	1092707100	Option - license light	1	
A20	1092707280	Option - license plate	1	
A25	1092706700	Option - light side	2	
A30	1092706800	Option - light side	2	
A35	0211117303	Screw	12	
A40	0301231500	Plain washer	2	
A50	1094293201	Wire harness road light	1	
A55	1094144700	Support	1	
A60	0346100203	Clamp	1	
A65	1619589801	Hexagon screw	1	

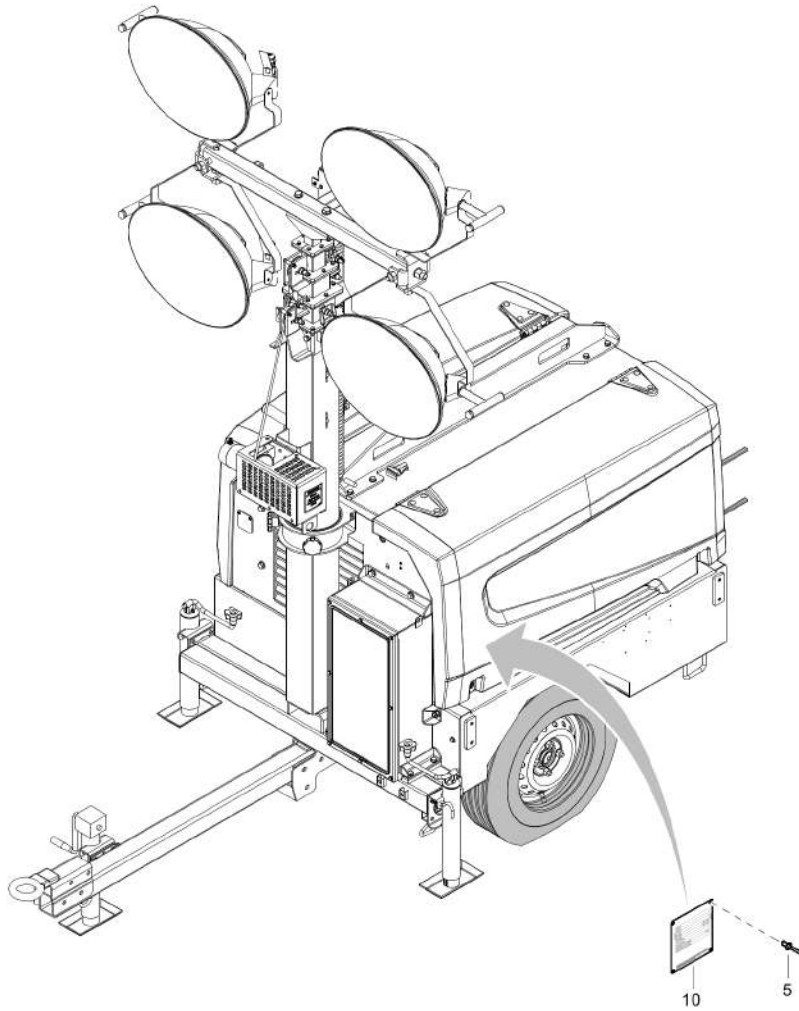
**Mechanical** 1625090058\_02 Cold start





Item	Part No.	Name	Qty	L
15	1079992045	Information label	1	

**Mechanical** 1625091763\_00 No option-datap



Refer to Parts Online for the most up to date information. The printed information might be outdated.

Mon Jun 01 13:16:13 UTC 2020

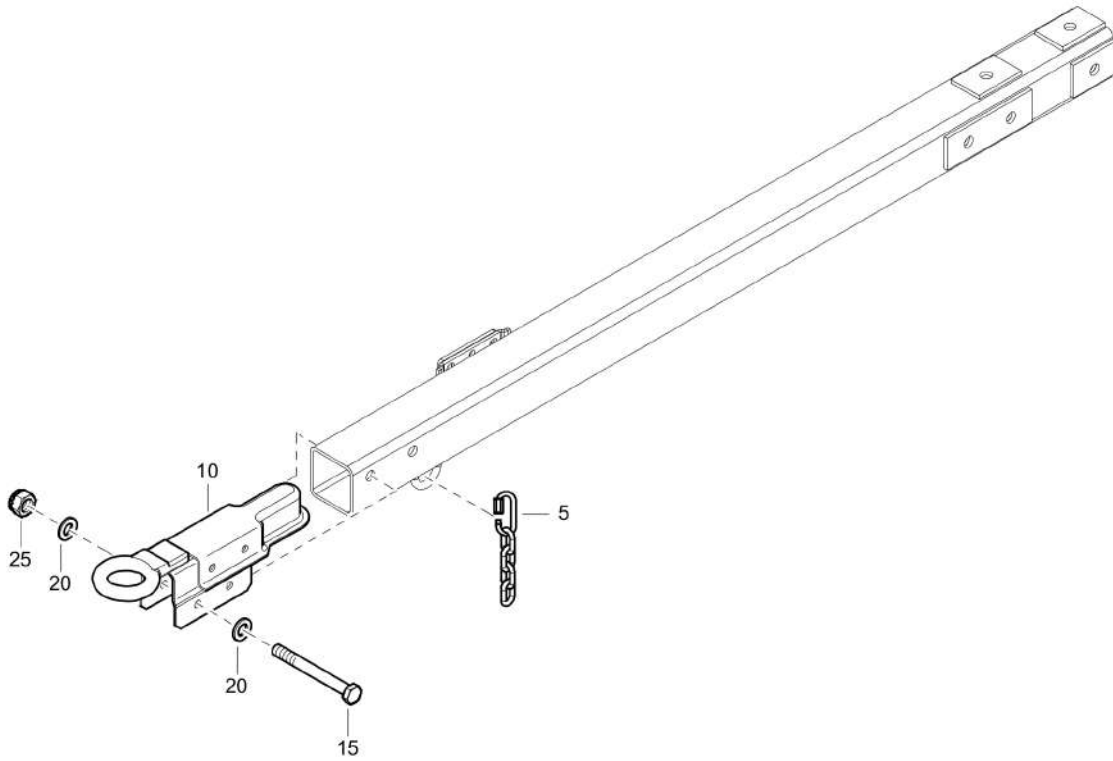
Item	Part No.	Name	Qty	L
5	-	Data plate (Not availables separately )	1	
10	0129310300	Blind rivet	4	

---

Refer to Parts Online for the most up to date information. The printed information might be outdated.

Mon Jun 01 13:16:13 UTC 2020

**Mechanical** 1625092162\_01 Combo eye



Refer to Parts Online for the most up to date information. The printed information might be outdated.

Mon Jun 01 13:16:13 UTC 2020

Item	Part No.	Name	Qty	L
5	1604157480	Chain	1	
10	1092715900	Combo towing eye	1	
15	0147141703	Hexagon head screw	2	
20	0301235800	Plain washer	4	
25	0291111200	Nut	2	

---

Refer to Parts Online for the most up to date information. The printed information might be outdated.

Mon Jun 01 13:16:13 UTC 2020

Mechanical 1625054297\_03 Markings

<p><b>BEFORE STARTING MOTOR</b>                  VOR DEM ANFAHREN DES MOTORS                  PARTES DE ARRANQUE DEL MOTOR                  AVANT DE DEMARRER LE MOTEUR</p>	<p><b>START ENGINE / MOTOR STARTEN</b>                  ARRANQUE DEL MOTOR / DEMARRER LE MOTEUR</p>
<p><b>SHUT DOWN / ABSTELLEN / DETENCION / MISE A L'ARRET</b></p>	<p><b>STOP / ANHALTEN</b></p>

65



70

30

**▲ DANGER**

CONTACT WITH OVERHEAD ELECTRICAL POWER LINES WILL CAUSE SERIOUS INJURY OR DEATH. DO NOT TOUCH ANY POWER LINES OR EQUIPMENT.

**▲ GEFAHR**

KONTAKT MIT ÜBERHEADSTROMLEITUNGEN WIRD ZU SCHWEREN VERLETZUNGEN ODER ZUM TODE FÜHREN. NICHT AN STROMLEITUNGEN ODER GERÄTEN FASSEN.

**▲ PELIGRO**

EL CONTACTO CON CABLES ELÉCTRICOS DE SOBRECARGA PUEDE CAUSAR LESIONES GRAVES O LA MUERTE. NO TOQUE CABLES ELÉCTRICOS NI EQUIPOS.

**▲ DANGER**

TOUCH CONTACT WITH OVERHEAD ELECTRICAL POWER LINES WILL CAUSE SERIOUS INJURY OR DEATH. DO NOT TOUCH ANY POWER LINES OR EQUIPMENT.

50

**▲ WARNING**

**▲ WARNING**

**▲ AVVERTENZA**

**▲ AVERTISSEMENT**

45

**CAUTION**

**PRECAUTION**

**▲ DANGER**

ELECTRICAL STORAGE DEVICE WITHIN CONTACT IS A SERIOUS ELECTRICAL SHOCK HAZARD. DO NOT TOUCH ELECTRICAL SHOCK HAZARD. DO NOT TOUCH ELECTRICAL SHOCK HAZARD. DO NOT TOUCH ELECTRICAL SHOCK HAZARD.

**▲ GEFAHR**

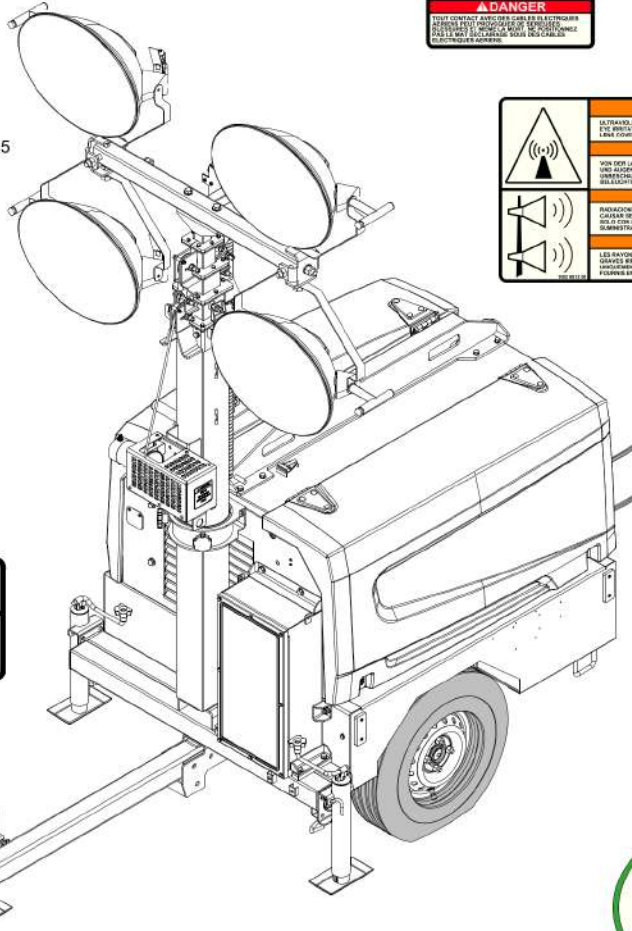
ENTHALT ELEKTROISOLIERUNG. FÜR WARTUNG ODER ZUM ANFANGEN VON WARTUNGSARBEITEN SIND DIE ELEKTROISOLIERUNG ZU ENTFERNEN. SONST KÖNNEN SCHWERE VERLETZUNGEN ODER DER TODE EINTRITEN.

**▲ PELIGRO**

DISPOSITIVO DE ALMACENAMIENTO ELÉCTRICO EN EL INTERIOR PARA TRABAJOS DE MANTENIMIENTO. PARA EL TRABAJO O EL COMENZAMIENTO DE LOS TRABAJOS DE MANTENIMIENTO, DEBE ELIMINARSE LA CUBIERTA ELÉCTRICA. SI NO SE ELIMINA, SE CORRE EL RIESGO DE LESIONES GRAVES O LA MUERTE.

**▲ DANGER**

DISPOSITIF DE STOCKAGE ÉLECTRIQUE À L'INTÉRIEUR. POUR LES TRAVAUX D'ENTRETIEN, LA CUBIÈRE ÉLECTRIQUE DOIT ÊTRE ENLEVÉE. S'IL N'EST PAS ENLEVÉE, IL Y A LE RISQUE DE BLESSURES GRAVES OU LA MORT.



**▲ WARNING**

ULTRAVIOLET RADIATION FROM LAMP CAN CAUSE SERIOUS SKIN AND EYE IRRITATION. ONLY WITH PROTECTIVE WEARINGS.

**▲ WARNING**

VON DER LAMPEN ABSTREICHUNG STRAHLEN KÖNNEN SCHWERE HAUT- UND AUGENREIZUNGEN. NUR MIT SCHÜTZENDER ABWEHRUNG.

**▲ AVVERTENZA**

IRRADIAZIONI ULTRAVIOLETTE DELLA LAMPADA PUÒ CAUSARE SERIESE IRRITAZIONI ALLA PELLE E VIZI ALLA VISIONE. SOLO CON ADEGUATE PROTEZIONI.

**▲ AVERTISSEMENT**

LES RAYONS ULTRAVIOLET DE LA LAMPÉ PEUVENT CAUSER DE GRAVES IRRITATIONS DE LA PEAU ET DES VIZI À LA VISION. SEULEMENT AVEC DES PROTECTEURS APPROPRIÉS.

40

35

**▲ DANGER**

**▲ GEFAHR**

**▲ DANGER**

**▲ PELIGRO**

**DIESEL**

90

**CAUTION !**

**SPEED LIMIT :**

**45MPH**

60

**▲ DANGER**

**HIGH VOLTAGE**

CONTACT WILL CAUSE BURNING INJURY OR DEATH. TURN POWER OFF BEFORE MAINTENANCE.

25

10

**2.7 bar / 39 psi**

**2.7 bar / 39 psi**



85

55

**←**

**▲ DANGER**

Bent steel wire

Broken steel wire

Worn out gear

• Replace steel wire or winch if you find above phenomenon.

• Find part number in instruction book.

15

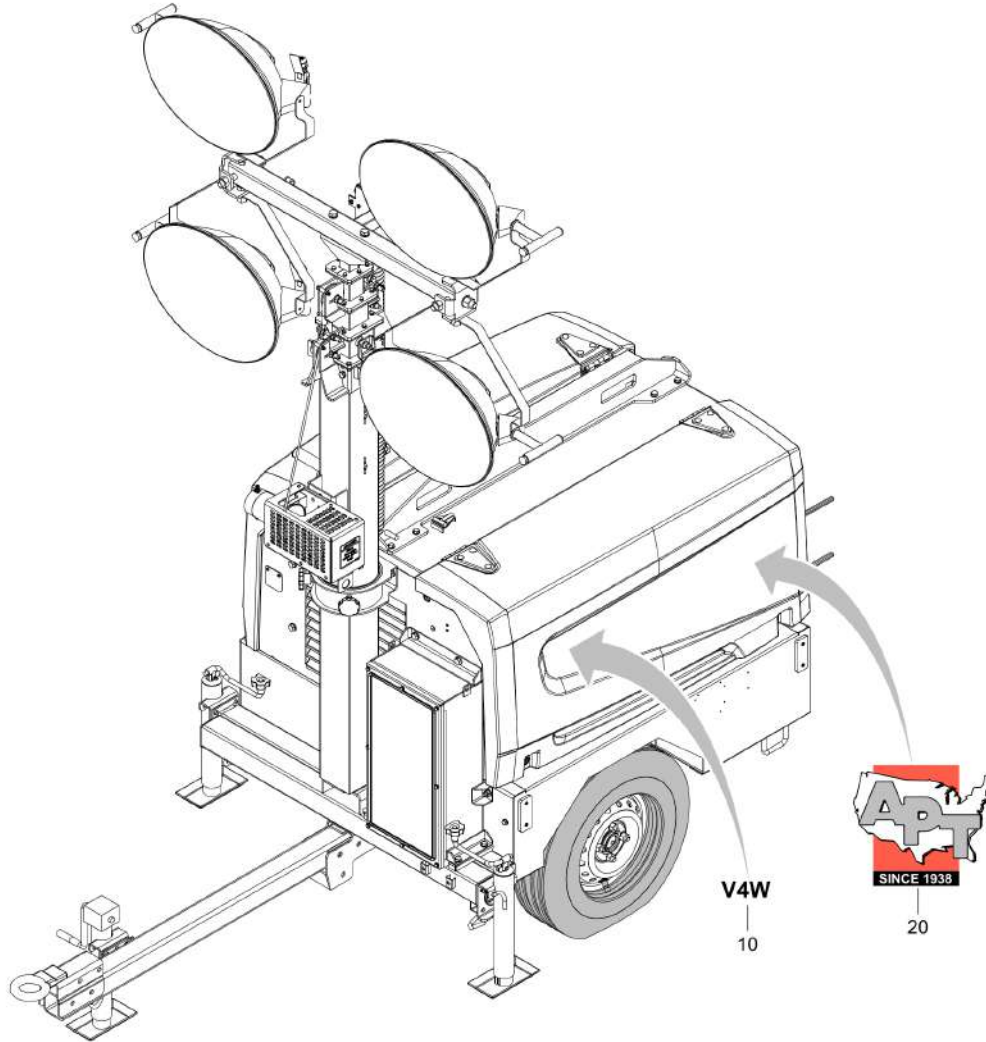
TOWING INSTRUCTIONS	ANSCHLEPPINSTRUKTIONEN	INSTRUCCIONES DE REMOLQUE	ISTRUZIONI DI RIMOVIAMENTO
<p>1. Read the towing instructions in the instruction book.</p> <p>2. Do not tow the vehicle on a slope steeper than 10 degrees.</p> <p>3. Do not tow the vehicle with the engine running.</p> <p>4. Do not tow the vehicle with the transmission in gear.</p> <p>5. Do not tow the vehicle with the parking brake engaged.</p> <p>6. Do not tow the vehicle with the handbrake engaged.</p> <p>7. Do not tow the vehicle with the steering wheel locked.</p> <p>8. Do not tow the vehicle with the suspension components damaged.</p> <p>9. Do not tow the vehicle with the tires damaged.</p> <p>10. Do not tow the vehicle with the wheels off the ground.</p>	<p>1. Lesen Sie die Antriebsanweisungen im Handbuch.</p> <p>2. Ziehen Sie das Fahrzeug nicht auf einem steileren Gelände als 10 Grad an.</p> <p>3. Ziehen Sie das Fahrzeug nicht mit laufendem Motor an.</p> <p>4. Ziehen Sie das Fahrzeug nicht mit eingewähltem Gang an.</p> <p>5. Ziehen Sie das Fahrzeug nicht mit eingekuppelter Handbremse an.</p> <p>6. Ziehen Sie das Fahrzeug nicht mit eingekuppelter Handbremse an.</p> <p>7. Ziehen Sie das Fahrzeug nicht mit verriegeltem Lenkrad an.</p> <p>8. Ziehen Sie das Fahrzeug nicht mit beschädigten Federbauteilen an.</p> <p>9. Ziehen Sie das Fahrzeug nicht mit beschädigten Reifen an.</p> <p>10. Ziehen Sie das Fahrzeug nicht mit abgehängten Rädern an.</p>	<p>1. Leer la instrucción de remolque en el manual de instrucciones.</p> <p>2. No remolque el vehículo en una pendiente superior a 10 grados.</p> <p>3. No remolque el vehículo con el motor encendido.</p> <p>4. No remolque el vehículo con la transmisión en marcha.</p> <p>5. No remolque el vehículo con el freno de estacionamiento aplicado.</p> <p>6. No remolque el vehículo con el freno de mano aplicado.</p> <p>7. No remolque el vehículo con el volante bloqueado.</p> <p>8. No remolque el vehículo con componentes de suspensión dañados.</p> <p>9. No remolque el vehículo con neumáticos dañados.</p> <p>10. No remolque el vehículo con las ruedas fuera del suelo.</p>	<p>1. Leggere le istruzioni di rimozione nel manuale di istruzioni.</p> <p>2. Non rimorchiare il veicolo su pendenze superiori a 10 gradi.</p> <p>3. Non rimorchiare il veicolo con il motore acceso.</p> <p>4. Non rimorchiare il veicolo con la trasmissione in marcia.</p> <p>5. Non rimorchiare il veicolo con il freno a mano inserito.</p> <p>6. Non rimorchiare il veicolo con il freno di stacco inserito.</p> <p>7. Non rimorchiare il veicolo con il volante bloccato.</p> <p>8. Non rimorchiare il veicolo con componenti di sospensione danneggiati.</p> <p>9. Non rimorchiare il veicolo con pneumatici danneggiati.</p> <p>10. Non rimorchiare il veicolo con le ruote sollevate dal suolo.</p>

Item	Part No.	Name	Qty	L
5	1092681400	Decal	1	
10	1092682600	Decal	1	
15	1092680500	Decal	1	
25	1092682900	Decal	1	
30	1092680700	Decal	1	
35	1092681300	Decal	1	
40	1092681200	Decal	1	
45	1092680600	Decal	2	
50	1092682200	Decal	2	
55	1079991951	Sticker arrow	2	
60	1079990255	Safety label	2	
65	1094130800	Decal	1	
70	1079990360	Information label	1	
80	1094130900	Decal	1	
85	1092682400	Decal	1	
90	1094191300	Label	1	

Refer to Parts Online for the most up to date information. The printed information might be outdated.

Mon Jun 01 13:16:14 UTC 2020

**Mechanical** 1625091844\_01 Markings



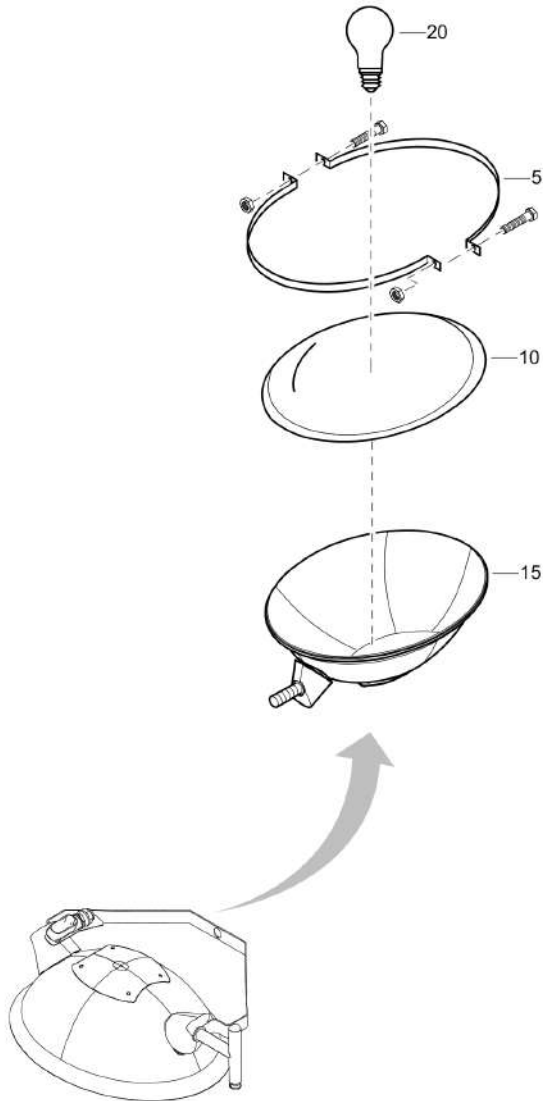
Refer to Parts Online for the most up to date information. The printed information might be outdated.

Mon Jun 01 13:16:14 UTC 2020

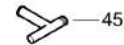
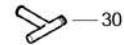


Item	Part No.	Name	Qty	L
10	1094605700	Label	1	
20	1094605600	Label	1	

**Mechanical** 1092629700\_04 Lamp 1000W



<b>Not Illustrated</b>			
Ref	Part Number	Designation	Qty
35	1094 1900 15	Bulb holder	4
40	1094 1900 16	Bulb socket	4
50	1094 1900 69	Cover	4

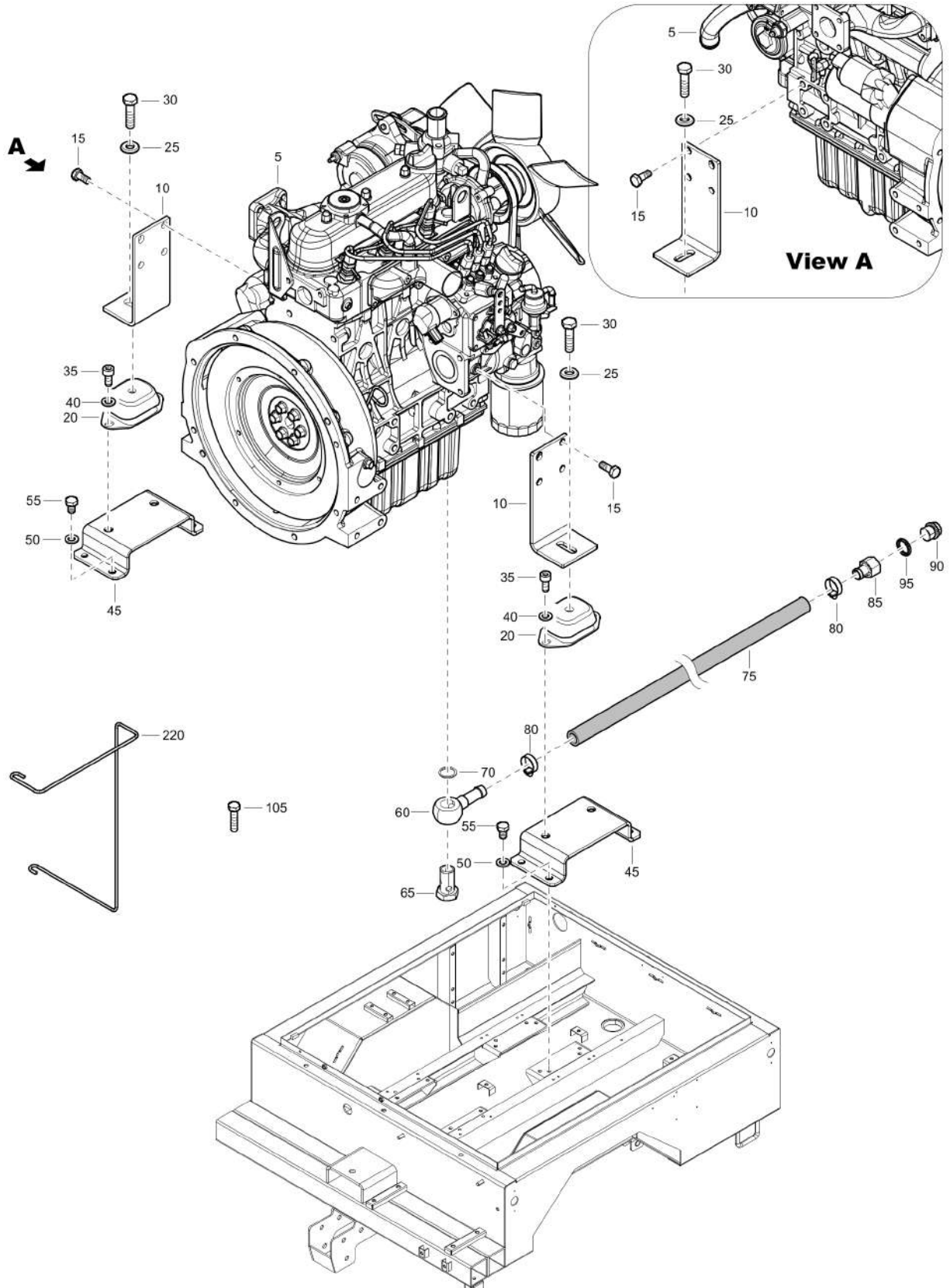


Item	Part No.	Name	Qty	L
5	1092683400	Flange ring	2	
10	1092683500	Cover and gasket	1	
15	1092683600	U-bracket	1	
20	1092805900	Bulb light tower	4	
30	1310072612	T-nut for mh lamp	4	
35	1094190015	MH lamp bulb holder	1	
40	1094190016	Bulb socket of mh lamp	1	
45	1310072612	T-nut for mh lamp	1	
50	1094190069	Mh lamp cover	1	

Refer to Parts Online for the most up to date information. The printed information might be outdated.

Mon Jun 01 13:16:14 UTC 2020

Engine 1625092164\_00 Engine



Refer to Parts Online for the most up to date information. The printed information might be outdated.

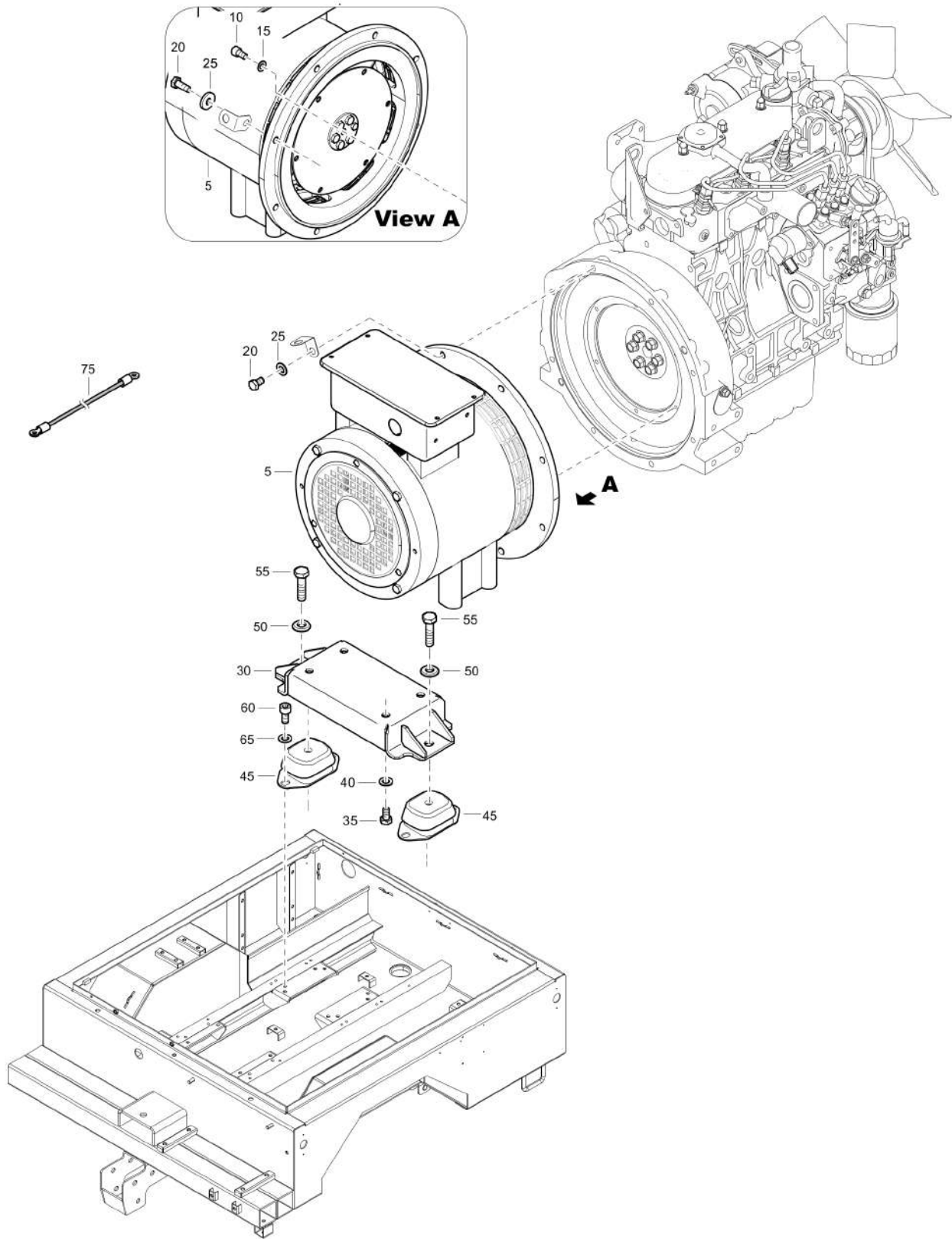
Mon Jun 01 13:16:15 UTC 2020

Item	Part No.	Name	Qty	L
5	1094266600	Engine	1	
10	1092622500	Support engine	2	
15	0147195945	Hexagon head screw	4	
20	1092636700	Damper engine	2	
25	0300027492	Washer	2	
30	0147140303	Hexagon head screw	2	
35	0211136003	Hexagon socket screw	4	
40	0301234400	Washer	12	
45	1094235000	Support	2	
50	0301233500	Plain washer	8	
55	0147132302	Screw	8	
60	0571005007	Banjo nipple	1	
65	0627421700	Pressure screw	1	
70	0653112800	Flat gasket	2	
75	0072840316	Hose	0.45	
80	0347610600	Hose clamp	2	
85	1094067100	Nipple	1	
90	0686371602	Plug	1	
95	0661103300	Sealing washer	1	
105	0147136403	Hexagon head screw	4	
220	1094313700	Wire guide	1	

Refer to Parts Online for the most up to date information. The printed information might be outdated.

Mon Jun 01 13:16:15 UTC 2020

Engine 1625091895\_02 Alternator



Refer to Parts Online for the most up to date information. The printed information might be outdated.

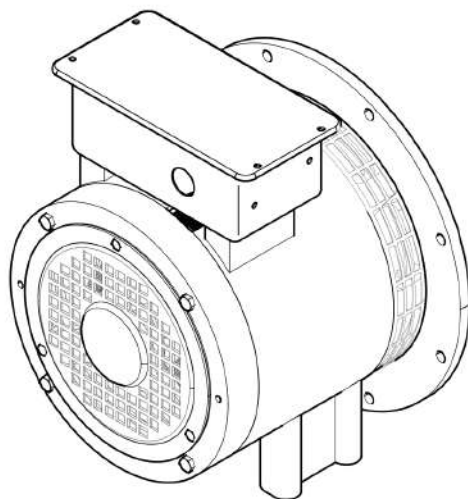
Mon Jun 01 13:16:16 UTC 2020

Item	Part No.	Name	Qty	L
5	1094299900	Alternator	1	
10	0211516203	Screw DIN912	6	
15	0301233500	Plain washer	6	
20	0144328703	Screw DIN933	8	
25	0301234400	Washer	8	
30	1092909501	Support	1	
35	0144328603	Screw	4	
40	0301234400	Washer	4	
45	1092899900	Damper engine	2	
50	0300027492	Washer	2	
55	0147140203	Hexagon head screw	2	
60	0211136003	Hexagon socket screw	4	
65	0301234400	Washer	4	
75	1094292500	Cable	1	

Refer to Parts Online for the most up to date information. The printed information might be outdated.

Mon Jun 01 13:16:16 UTC 2020

**Engine** 1094299900\_01 Alternator



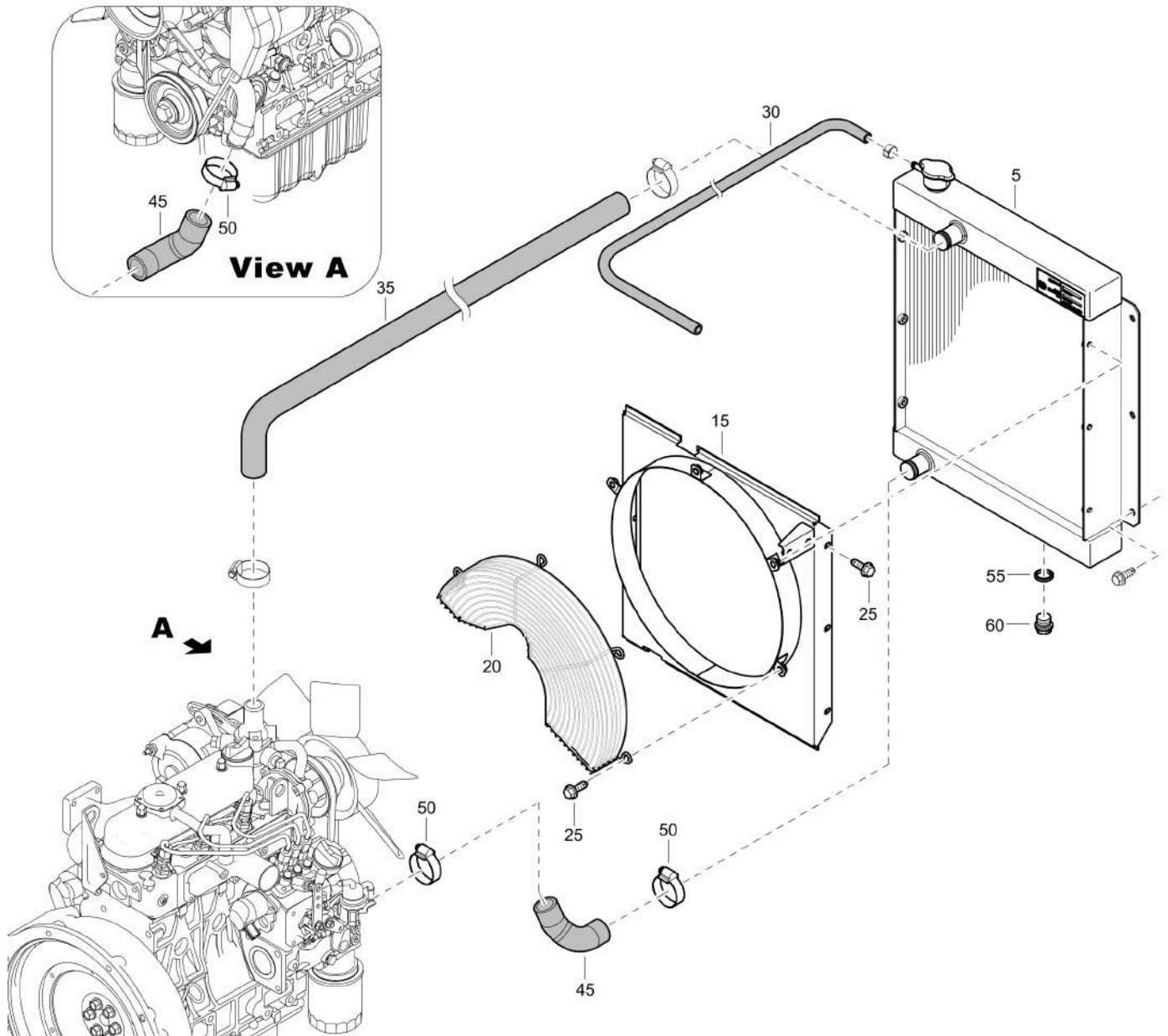


Item	Part No.	Name	Qty	L
10	1094451663	Non-drive end cover	1	
20	1094451648	Plastic air plate	1	
30	1094451649	Bearingd	1	
40	1094451650	O ring	1	
50	1094451651	Disc component	1	
60	1094451652	Base	1	
70	1094451653	Hoop	1	
80	1094451654	Hose	1	
90	1094451655	Connection	2	
100	1094451656	Outlet box cover plate	1	
110	1094451657	Capacitor	1	
120	1094451658	Outlet box	1	
130	1094451659	Piezoresistor	1	
140	1094451660	Diode	1	
150	1094451664	Alternator shaft	1	
160	1094451662	Alternator fan	1	

Refer to Parts Online for the most up to date information. The printed information might be outdated.

Mon Jun 01 13:16:16 UTC 2020

**Engine 1625091822\_02 Cooling**



Refer to Parts Online for the most up to date information. The printed information might be outdated.

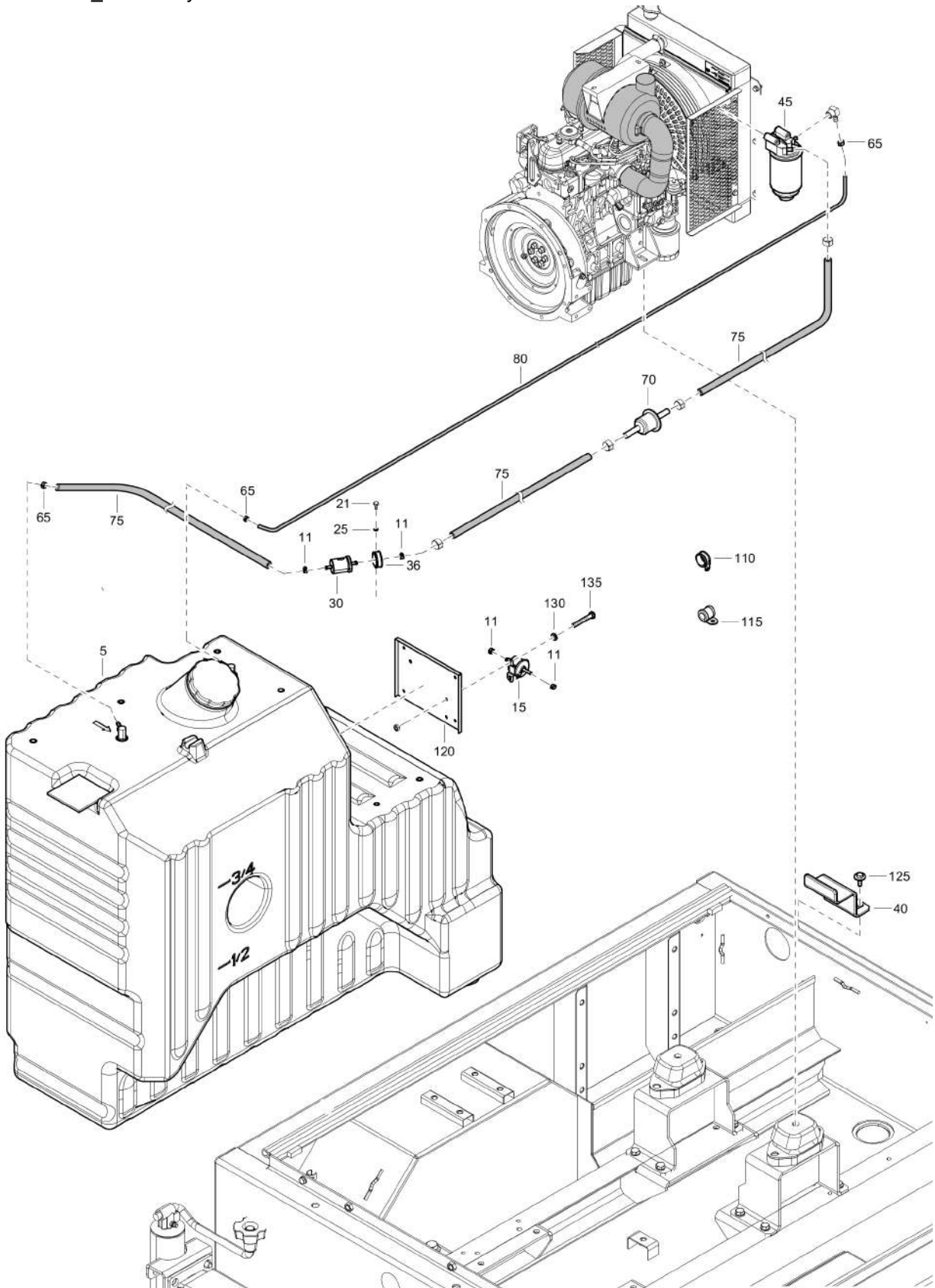
Mon Jun 01 13:16:16 UTC 2020

Item	Part No.	Name	Qty	L
5	1094236401	Radiator	1	
15	1094270001	Fan cowl	1	
20	1094242400	Fan guard	1	
25	1619276600	Screw bolt	16	
30	1092848300	Fuel hose	AR	
35	1092625700	Hose cooler upper light tower	1	
45	1092637700	Hose cooler lower light tower	1	
50	0347610900	Hose clamp	4	
55	0661103300	Sealing washer	1	
60	0686371602	Plug	1	

Refer to Parts Online for the most up to date information. The printed information might be outdated.

Mon Jun 01 13:16:16 UTC 2020

Engine 1625091816\_01 Fuel system



Refer to Parts Online for the most up to date information. The printed information might be outdated.

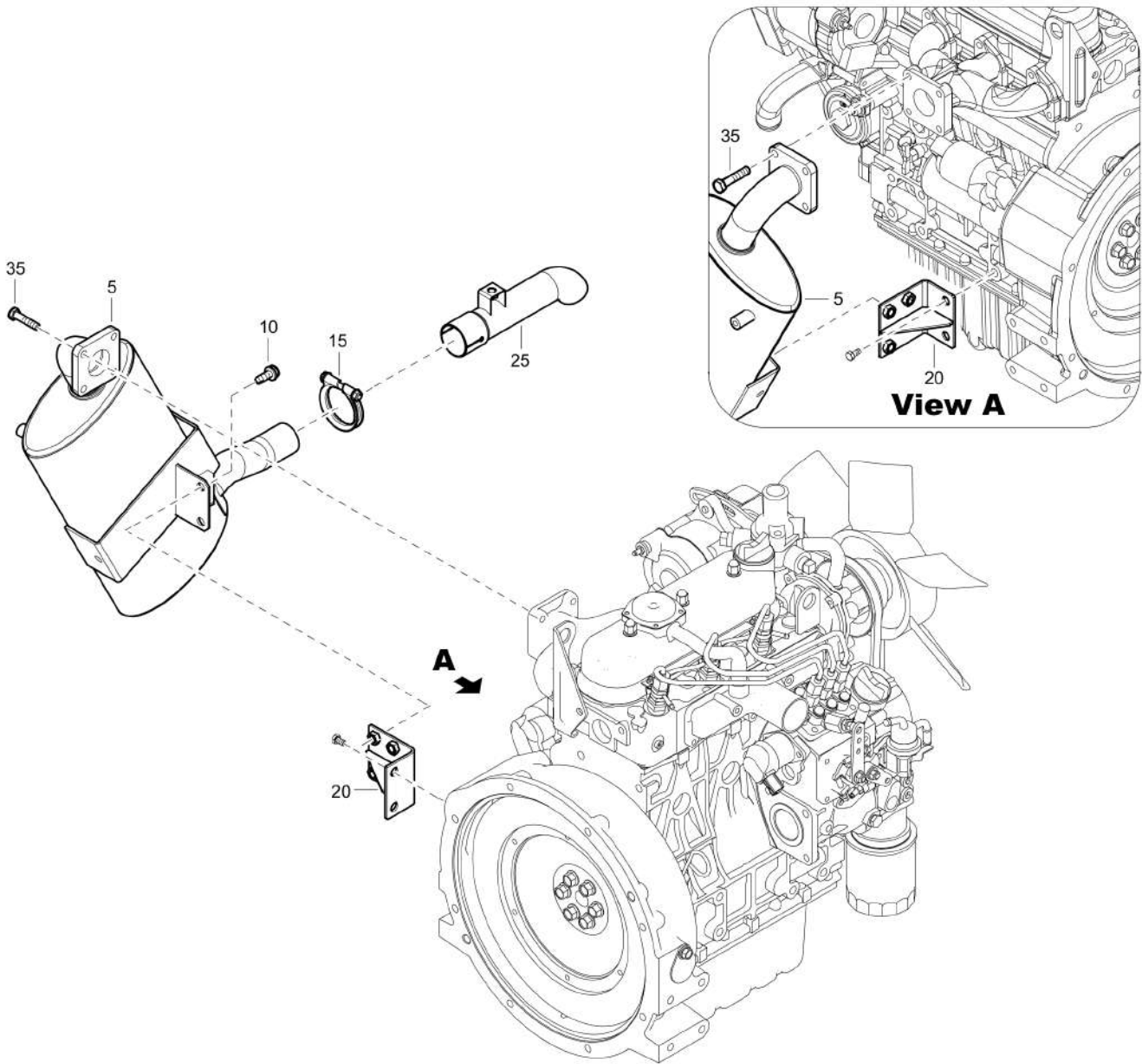
Mon Jun 01 13:16:17 UTC 2020

Item	Part No.	Name	Qty	L
5	1094294280	Fuel tank assembly	1	
11	1604413700	Hose clip	8	
15	1094066600	Electrical fuel pump	1	
21	0147124303	Hexagon bolt	9	
25	0301232100	Plain washer	9	
30	1094086600	Pre-filter	1	
36	1613080104	Pipe clamp	1	
40	1094248800	Support	1	
45	1615881880	Fuelfilter assembly	1	
65	1605102400	Hose clamp	4	
70	1092638800	Stop valve	1	
75	1092848300	Fuel hose	AR	
80	1092366100	Fuel hose	AR	
110	1613080100	Pipe clamp	1	
115	1613080107	Pipe clamp	1	
120	1094286500	Mounting plate	1	
125	1615566400	Scraper bolt	2	
130	0301233500	Plain washer	2	
135	0147133103	Hexagon head screw	2	

Refer to Parts Online for the most up to date information. The printed information might be outdated.

Mon Jun 01 13:16:17 UTC 2020

**Engine** 1625091815\_04 Exhaust system



Refer to Parts Online for the most up to date information. The printed information might be outdated.

Mon Jun 01 13:16:18 UTC 2020

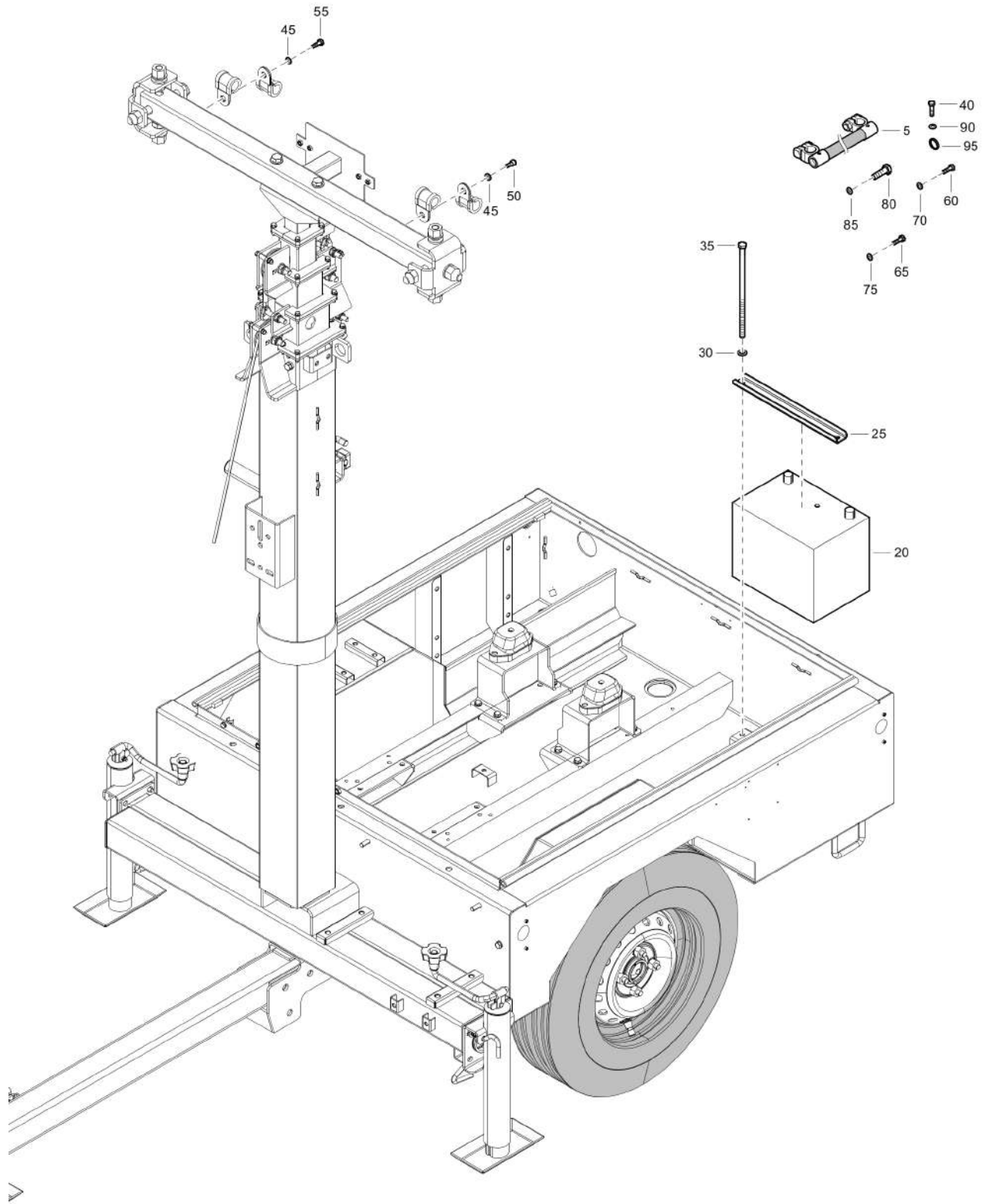
Item	Part No.	Name	Qty	L
5	1094257800	Muffler	1	
10	1619276600	Screw bolt	3	
15	0346300115	Clamp	1	
20	1094313800	Support muffler	1	
25	1094259200	Pipe	1	
35	1092639400	Bolt kubota light tower	4	

---

Refer to Parts Online for the most up to date information. The printed information might be outdated.

Mon Jun 01 13:16:18 UTC 2020

**Electric system** 1625091826\_01 Electrical system



Refer to Parts Online for the most up to date information. The printed information might be outdated.

Mon Jun 01 13:16:18 UTC 2020

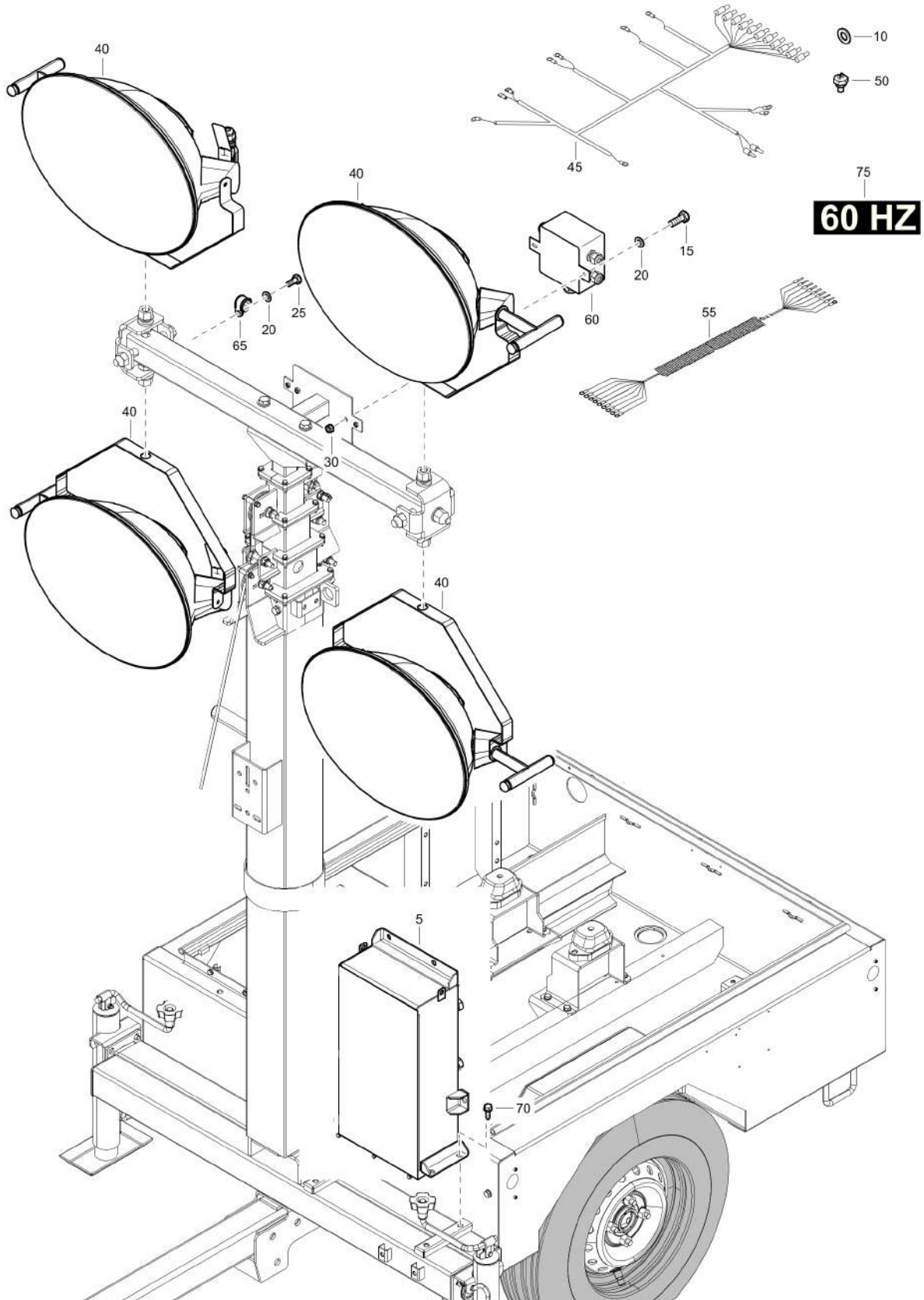


Item	Part No.	Name	Qty	L
5	1094259900	Battery cable	1	
20	1092648600	Battery	1	
25	1094240900	Battery clamp	1	
30	0301233500	Plain washer	2	
35	0147196481	Screw DIN931	2	
40	0147124803	Hexagon bolt	2	
45	0301232100	Plain washer	5	
50	0211124603	Hexagon socket screw	2	
55	0147124703	Hexagon head screw	1	
60	0144336303	Hexagon bolt	1	
65	0147139703	Hexagon bolt	1	
70	0301235800	Plain washer	2	
75	1088001903	Contact washer	2	
80	0147195945	Hexagon head screw	1	
85	0301234400	Washer	1	
90	1088001902	Contact washer	1	
95	0653110000	Flat gasket	1	

Refer to Parts Online for the most up to date information. The printed information might be outdated.

Mon Jun 01 13:16:18 UTC 2020

**Electric system** 1625091896\_03 Lamp - 60 Hz



Refer to Parts Online for the most up to date information. The printed information might be outdated.

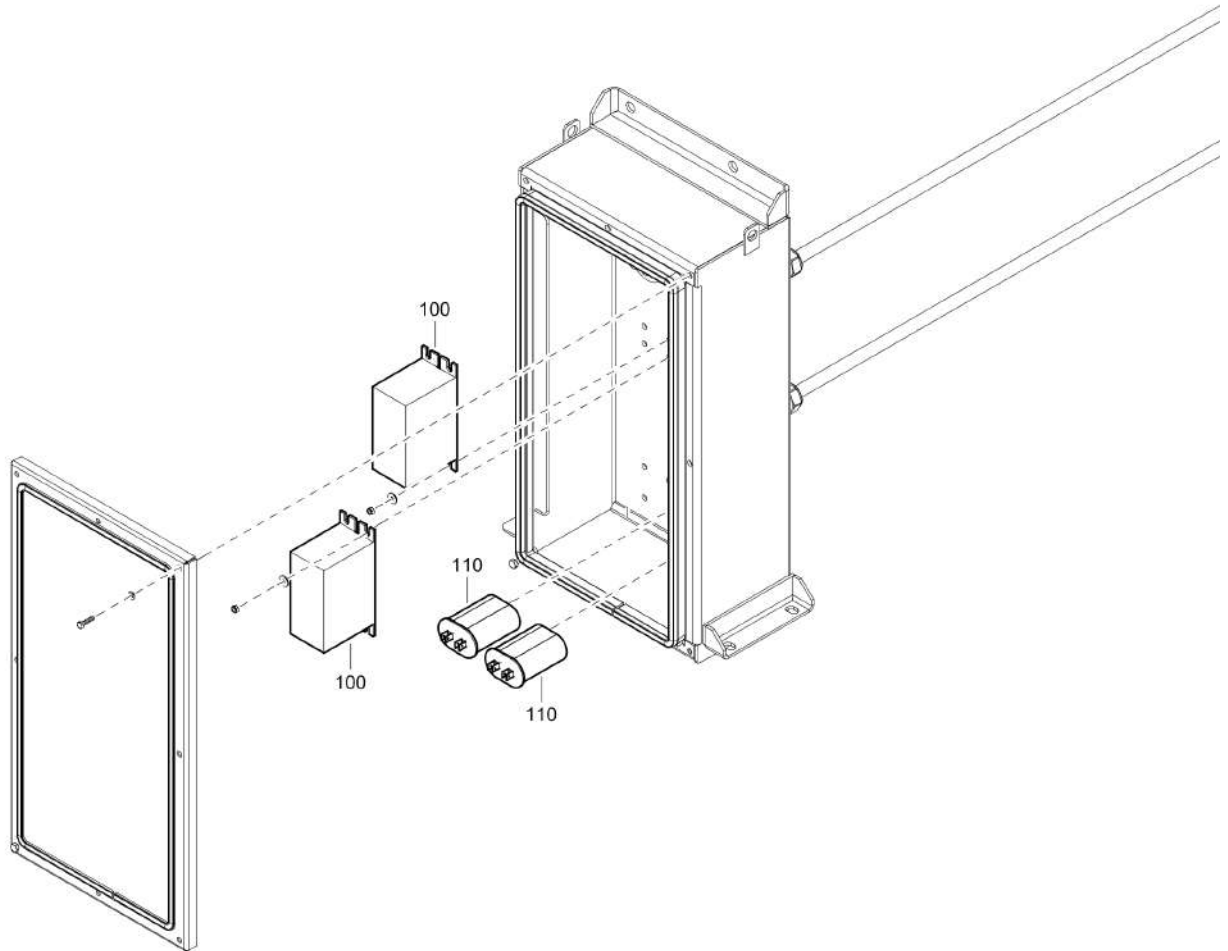
Mon Jun 01 13:16:19 UTC 2020

Item	Part No.	Name	Qty	L
5	1094269880	Ballast box assembly	1	
10	0301235800	Plain washer	2	
15	0147140103	Hexagon head screw	2	
20	0301234400	Washer	6	
25	0147136003	Hexagon head screw	4	
30	0291111100	Locknut	2	
40	1092629700	Lamp	4	
45	1094241101	Wire harness	1	
50	1092643801	Water temperature switch	1	
55	1094152900	Coil cord CE	1	
60	1094038800	Protection box	1	
65	1613080105	Pipe clamp	4	
70	1619589801	Hexagon screw	4	
75	1092680200	Decal	1	

Refer to Parts Online for the most up to date information. The printed information might be outdated.

Mon Jun 01 13:16:19 UTC 2020

**Electric system** 1094269880\_01 Ballast box



Refer to Parts Online for the most up to date information. The printed information might be outdated.

Mon Jun 01 13:16:19 UTC 2020

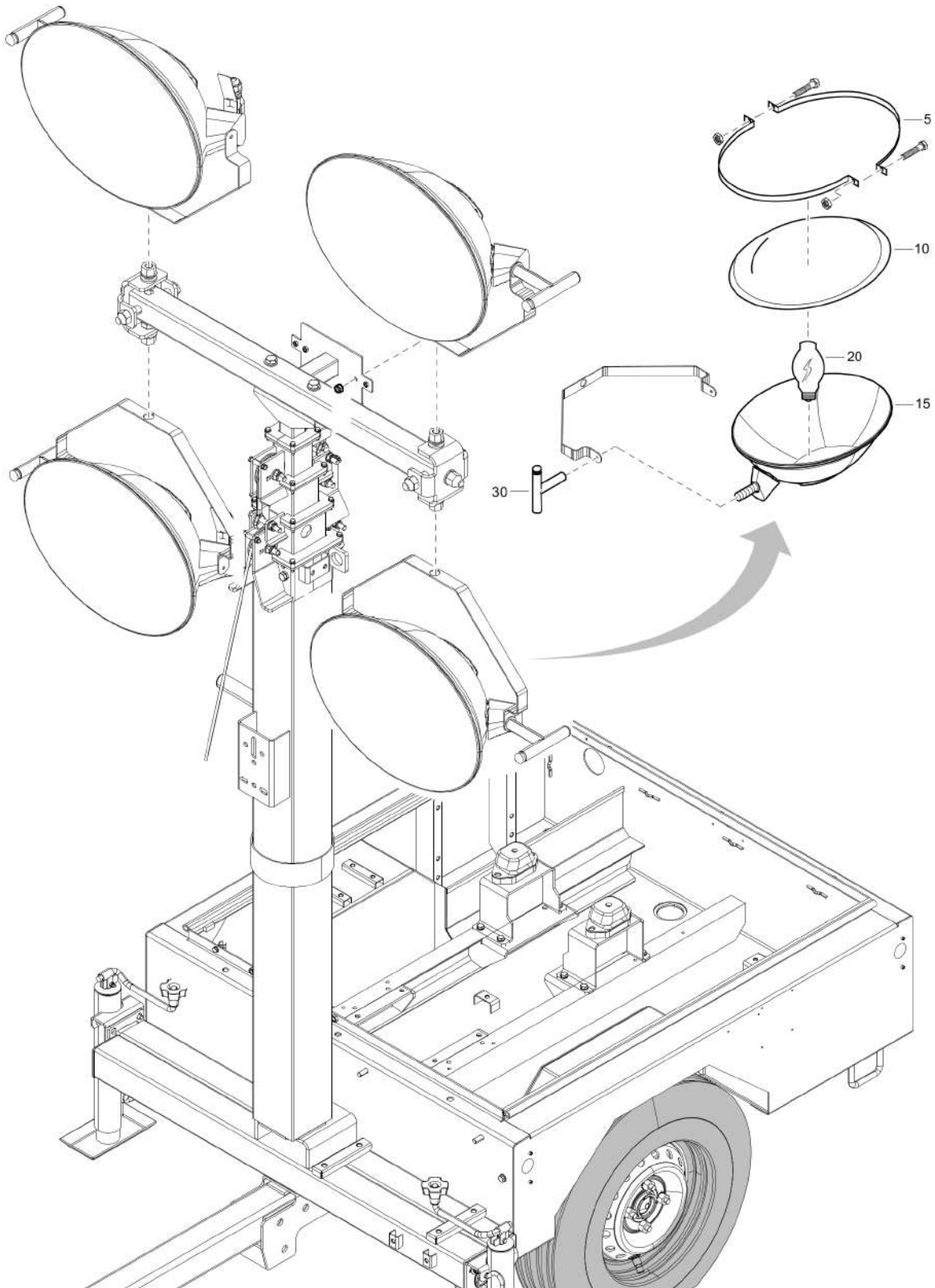
Item	Part No.	Name	Qty	L
100	1092638300	Ballast	4	
110	1094302100	Capacitor	4	

---

Refer to Parts Online for the most up to date information. The printed information might be outdated.

Mon Jun 01 13:16:19 UTC 2020

**Electric system** 1092629700\_03 Lamp



Refer to Parts Online for the most up to date information. The printed information might be outdated.

Mon Jun 01 13:16:19 UTC 2020

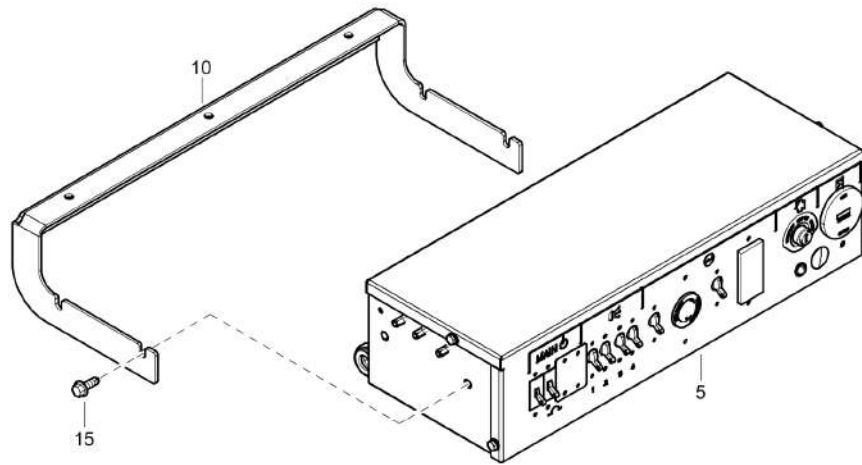
Item	Part No.	Name	Qty	L
5	1092683400	Flange ring	2	
10	1092683500	Cover and gasket	1	
15	1092683600	U-bracket	1	
20	1092805900	Bulb light tower	4	
30	1310072612	T-nut for mh lamp	4	

---

Refer to Parts Online for the most up to date information. The printed information might be outdated.

Mon Jun 01 13:16:19 UTC 2020

**Electric system** 1625091897\_00 Cubicle assembly - 60 Hz



Refer to Parts Online for the most up to date information. The printed information might be outdated.

Mon Jun 01 13:16:20 UTC 2020



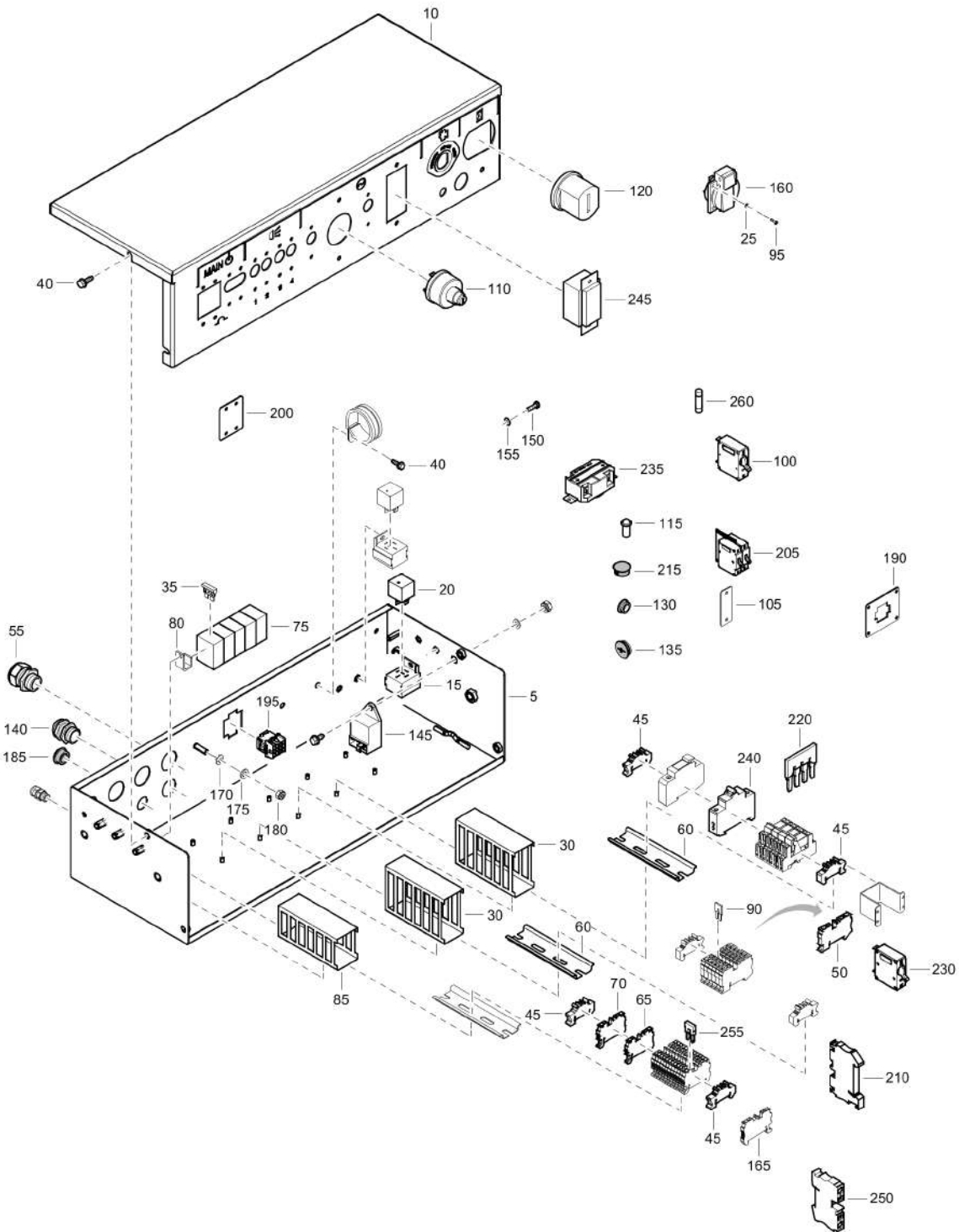
Item	Part No.	Name	Qty	L
5	1094243580	Cubicle	1	
10	1094240700	Support	1	
15	1619276600	Screw bolt	7	

---

Refer to Parts Online for the most up to date information. The printed information might be outdated.

Mon Jun 01 13:16:20 UTC 2020

**Electric system 1094243580\_02 Cubicle**



Refer to Parts Online for the most up to date information. The printed information might be outdated.

Mon Jun 01 13:16:21 UTC 2020

Item	Part No.	Name	Qty	L
5	1094214003	Body cubicle	1	
10	1094243500	Plate	1	
15	1089035801	Socket	1	
20	1089946343	Relay overload	1	
25	0301230900	Plain washer	2	
30	1092922601	Slot	2	
35	1089909227	Fuse	1	
40	1619589801	Hexagon screw	6	
45	1089057782	Plate	4	
50	1088002706	Terminal	2	
55	0698514259	Connector	2	
60	1094020700	Plate	2	
65	1089057759	Terminal	1	
70	1089057703	Terminal	5	
75	1094172500	Fuse socket	1	
80	1094131932	Plate fuse	1	
85	1092922600	Slot	1	
90	1088002708	Connector	1	
95	0211110603	Screw	2	
100	1089966759	Circuit breaker	4	
105	1094184101	Plate	1	
110	1092684400	Key switch	1	
115	1092684600	Buble	1	
120	1092049817	Hour meter	1	
130	0697981084	Plug	2	
135	0697981098	Plug	3	
140	0698514263	Connector	1	
145	1092684500	Time relay	1	
150	0147120803	Screw	4	
155	0301231800	Washer	4	
160	1092684200	Socket	1	
165	1089942733	Terminal block	8	
170	1088001906	Contact washer	4	
175	0301232100	Plain washer	4	
180	0291110800	Lock nut	4	

Refer to Parts Online for the most up to date information. The printed information might be outdated.

Mon Jun 01 13:16:21 UTC 2020

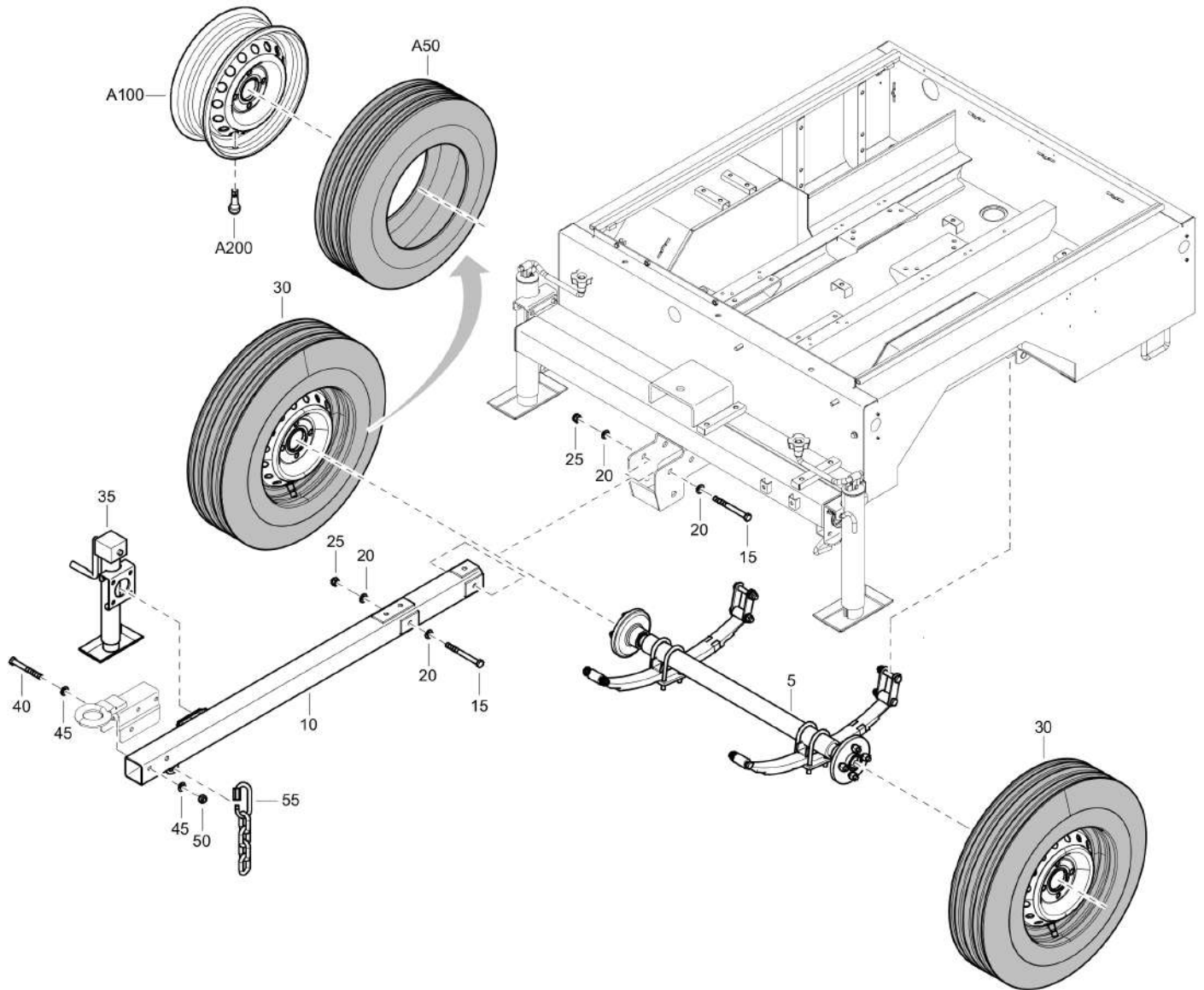
This page intentionally left blank

Item	Part No.	Name	Qty	L
185	0697981095	Plug	1	
190	1094213910	Plate	1	
195	1088002173	Connector	1	
200	1094225400	Plate sensata breaker	1	
205	1089930911	Circuit breaker	1	
210	1089936658	Terminal	1	
215	0697981107	Plug	1	
220	1088002711	Connector	2	
230	1089958396	Circuit breaker	1	
235	0993475612	Locking flush	1	
240	1089966760	Circuit breaker	1	
245	1092733900	Duplex socket light tower	1	
250	1089942726	Terminal	7	
255	1089936618	Terminal	4	
260	1089909215	Fuse	1	

Refer to Parts Online for the most up to date information. The printed information might be outdated.

Mon Jun 01 13:16:21 UTC 2020

Options / accessories 1625091891\_02 Undercarriage assembly

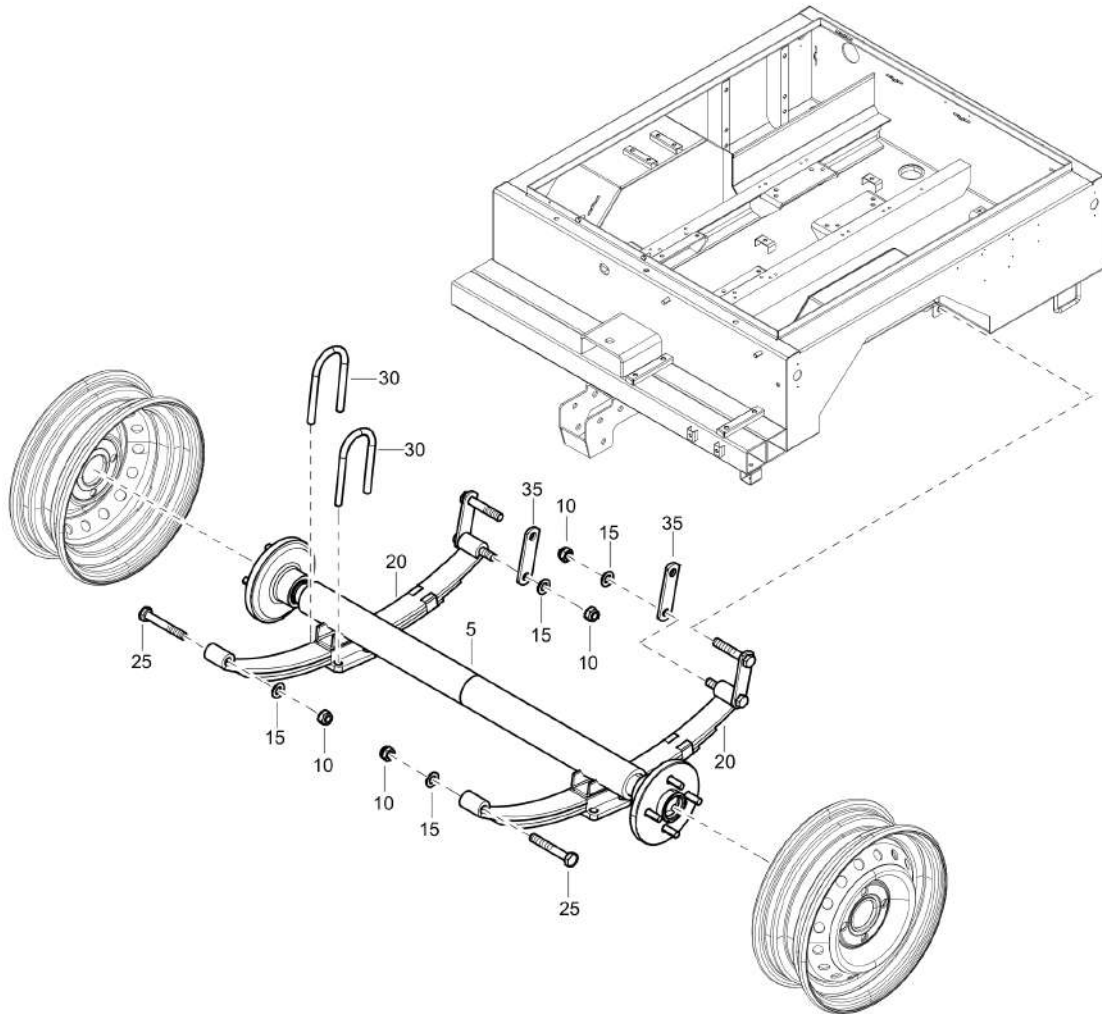


Refer to Parts Online for the most up to date information. The printed information might be outdated.

Mon Jun 01 13:16:21 UTC 2020

Item	Part No.	Name	Qty	L
5	1092876601	Axle	1	
10	1094293100	Towbar	1	
15	0147145703	Hexagon bolt	2	
20	0301237100	Plain washer	4	
25	0291111300	Nut	2	
30	1094124590	Tyre assembly	2	
A50	1094124510	Tyre	2	
A100	1604033300	Wheel	2	
A200	1092050409	Ventil	2	
35	1092642100	Lifting jack	1	
40	0147110787	Screw hexagon	2	
45	0301237100	Plain washer	4	
50	0291111300	Nut	2	
55	1604157480	Chain	1	

**Options / accessories** 1092876601\_01 Axle



Refer to Parts Online for the most up to date information. The printed information might be outdated.

Mon Jun 01 13:16:22 UTC 2020

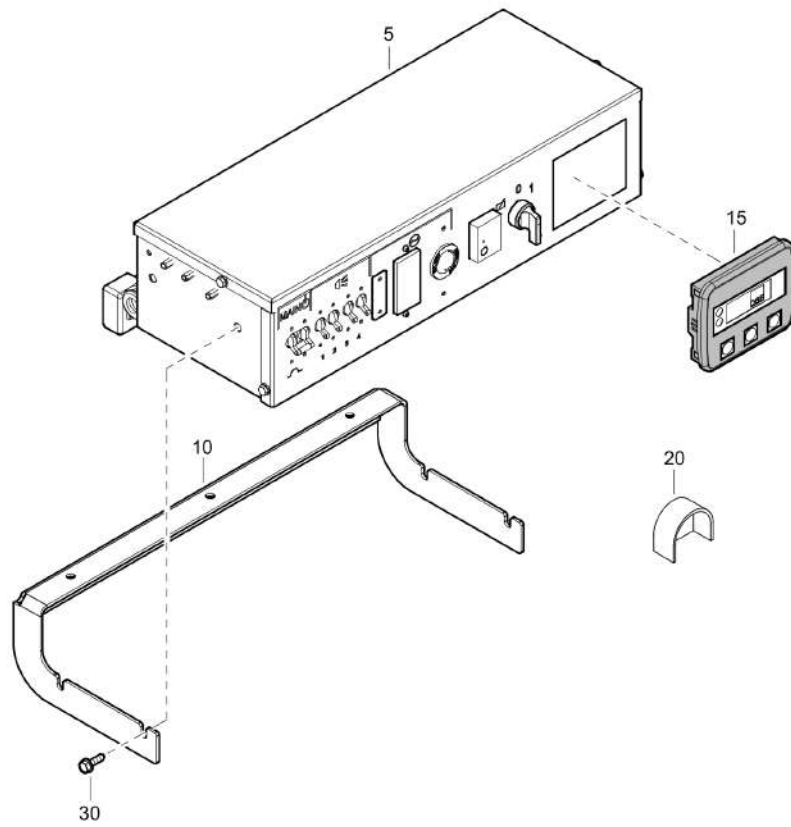


Item	Part No.	Name	Qty	L
5	1092876633	Axle	1	
10	0291111300	Nut	6	
15	0301237100	Plain washer	6	
20	1092636080	Spring leaf	2	
25	0147145003	Screw	6	
30	1092635700	U-bolt	4	
35	1092635900	Plate	4	

Refer to Parts Online for the most up to date information. The printed information might be outdated.

Mon Jun 01 13:16:22 UTC 2020

**Options / accessories** 1625080507\_00 Cubicle



Refer to Parts Online for the most up to date information. The printed information might be outdated.

Mon Jun 01 13:16:22 UTC 2020

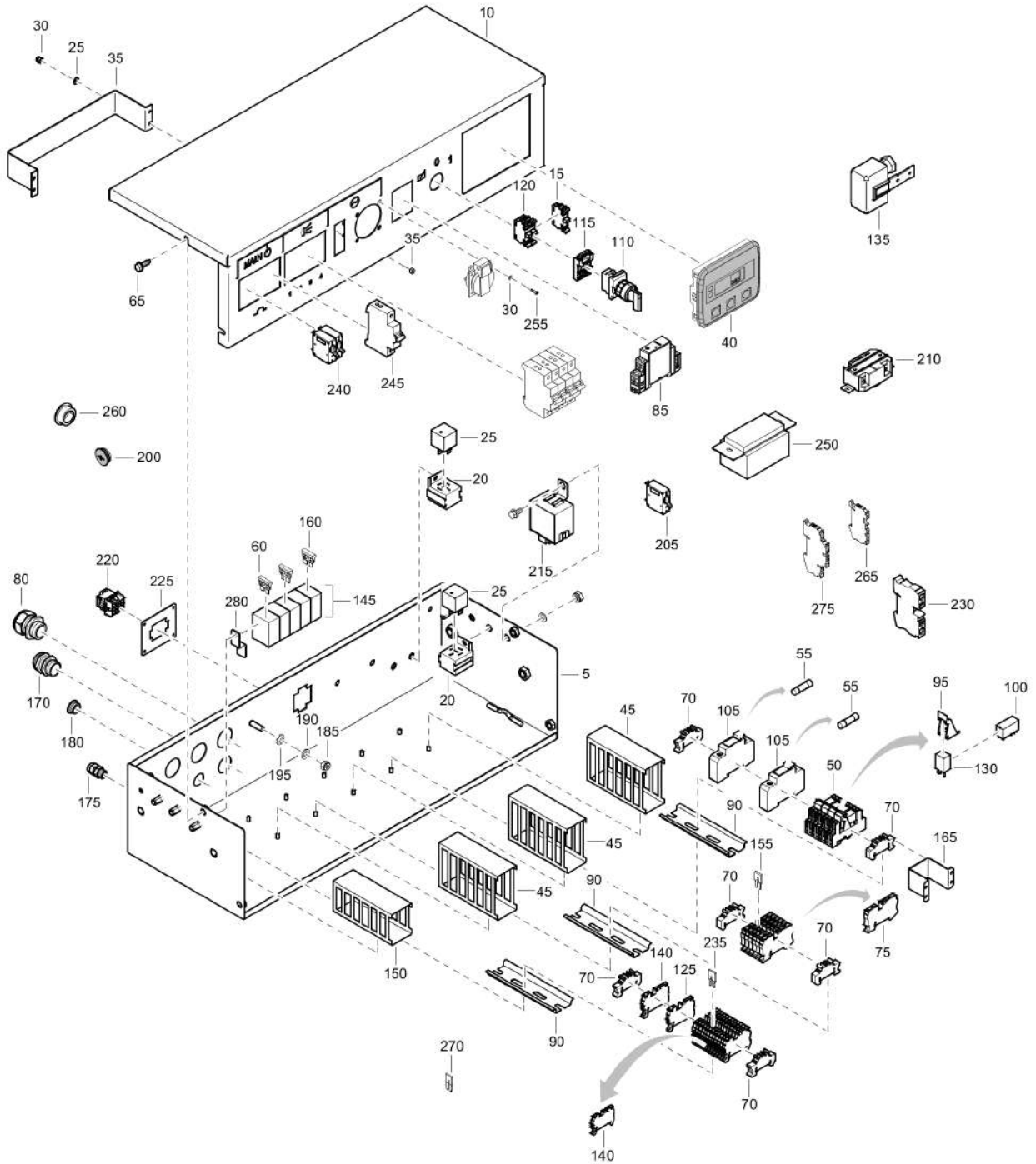
Item	Part No.	Name	Qty	L
5	1094318980	Cubicle	1	
10	1094240700	Support	1	
15	1089956174	Module	1	
20	1089036228	Protection collar	1	
30	1619276600	Screw bolt	7	

---

Refer to Parts Online for the most up to date information. The printed information might be outdated.

Mon Jun 01 13:16:22 UTC 2020

Options / accessories 1094318980\_01 Cubicle



Refer to Parts Online for the most up to date information. The printed information might be outdated.

Mon Jun 01 13:16:23 UTC 2020

Item	Part No.	Name	Qty	L
5	1094214003	Body cubicle	1	
10	1094234401	Plate cubicle	1	
15	1089951333	Contactora	1	
20	1089035801	Socket	6	
25	1089946343	Relay overload	6	
30	0301230900	Plain washer	8	
35	0291112812	lock Nut	4	
40	1089956174	Module	1	
45	1092922601	Slot	3	
50	1089951119	Socket	4	
55	1089933270	Fuse	2	
60	1089909227	Fuse	1	
65	1619589801	Hexagon screw	5	
70	1089057782	Plate	6	
75	1088002706	Terminal	6	
80	0698514259	Connector	2	
85	1089953769	Auxillary relay	1	
90	1094020700	Plate	3	
95	1089951120	Clip	4	
100	1089946342	Relay interface	4	
105	1089936384	Fuse	2	
110	1089951353	Switch selector	1	
115	1089951337	Push Button	1	
120	1089951352	Contactora	1	
125	1089057759	Terminal	1	
130	1089946321	Auxillary relay	4	
135	1089953770	Sensor	1	
140	1089057703	Terminal	4	
145	1094172500	Fuse socket	3	
150	1092922600	Slot	1	
155	1088002708	Connector	5	
160	1089909215	Fuse	2	
165	1094166200	Support finder	1	
170	0698514263	Connector	1	
175	0698514280	Connector	1	

Refer to Parts Online for the most up to date information. The printed information might be outdated.

Mon Jun 01 13:16:23 UTC 2020

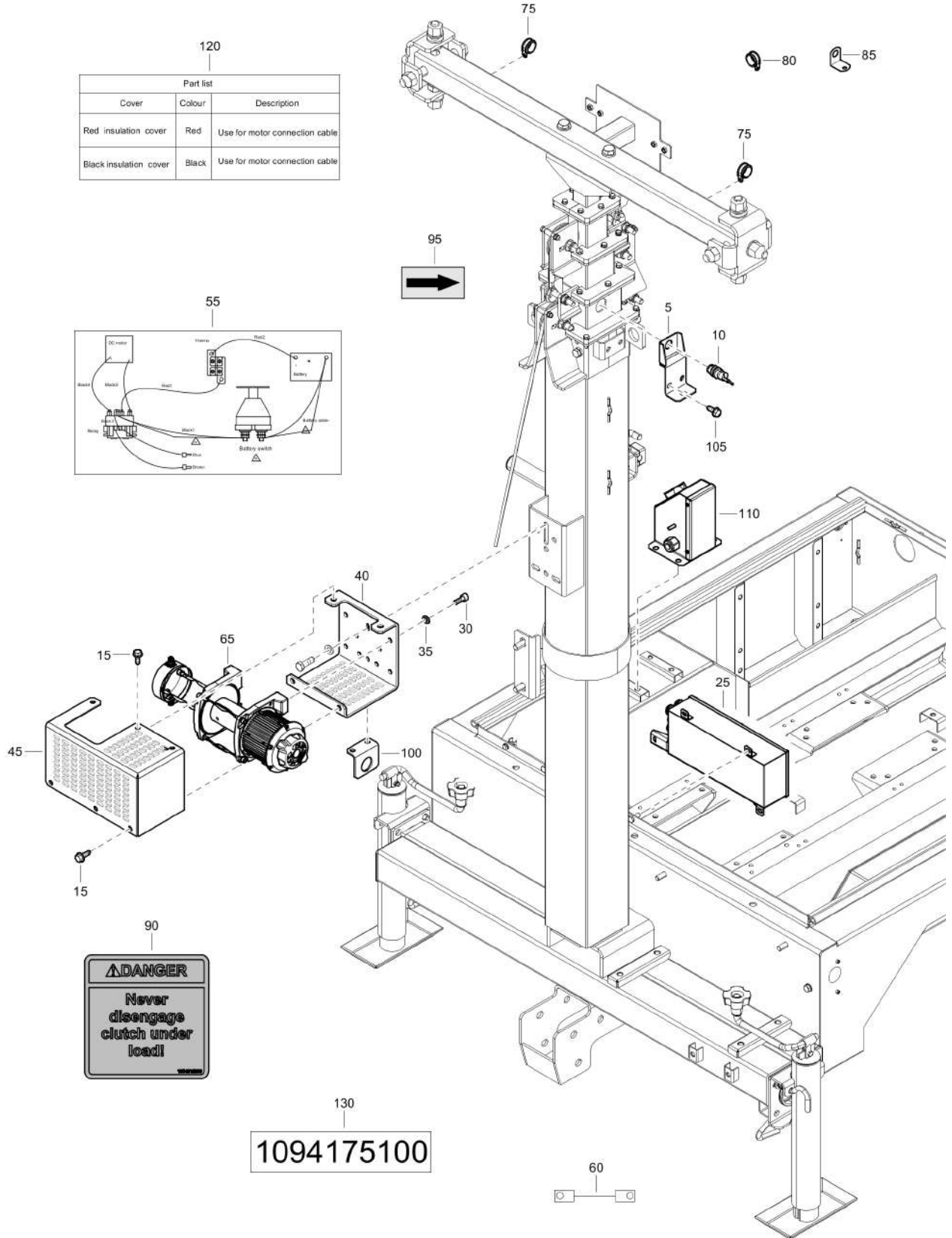
**This page intentionally left blank**

Item	Part No.	Name	Qty	L
180	0697981084	Plug	1	
185	0291110800	Lock nut	4	
190	0301232100	Plain washer	4	
195	1088001906	Contact washer	4	
200	0697981098	Plug	1	
205	1089966759	Circuit breaker	4	
210	0993475612	Locking flush	1	
215	1089936905	Relay time	1	
220	1088002173	Connector	1	
225	1094213910	Plate	1	
230	1089942726	Terminal	5	
235	1089936618	Terminal	4	
240	1089958395	Circuit breaker	1	
245	1089966760	Circuit breaker	1	
250	1092733900	Duplex socket light tower	1	
255	0211110603	Screw	4	
260	0697981095	Plug	1	
265	1089936655	Terminal	2	
270	1089942783	Connector	2	
275	1089936661	Terminal block	4	
280	1094326400	Fuse support	1	

Refer to Parts Online for the most up to date information. The printed information might be outdated.

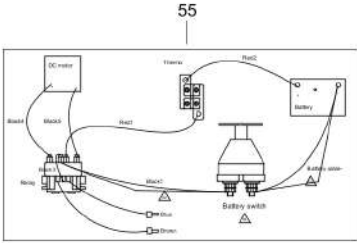
Mon Jun 01 13:16:23 UTC 2020

Options / accessories 1625080503\_00 Winch switch



120

Part list		
Cover	Colour	Description
Red insulation cover	Red	Use for motor connection cable
Black insulation cover	Black	Use for motor connection cable



130  
1094175100

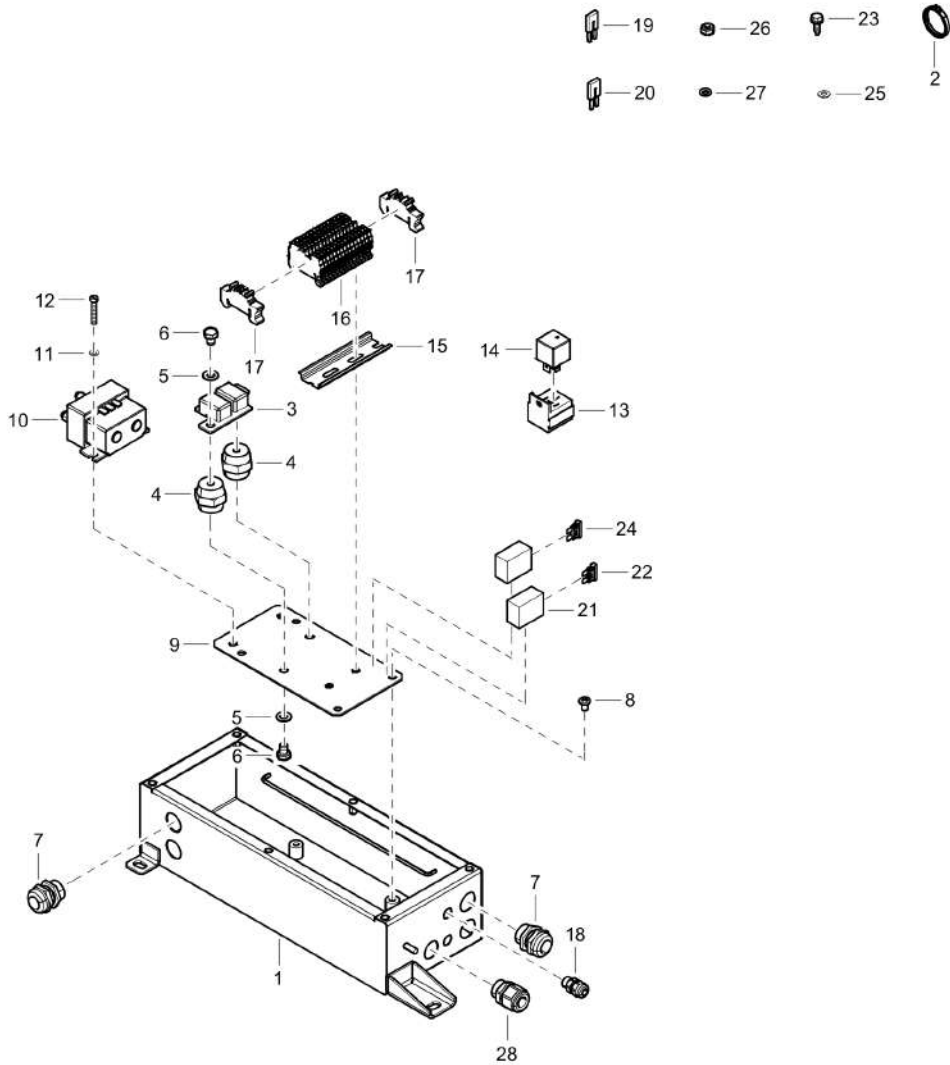
Refer to Parts Online for the most up to date information. The printed information might be outdated.

Mon Jun 01 13:16:23 UTC 2020



Item	Part No.	Name	Qty	L
5	1094201500	Support	2	
10	1089947706	Sensor multi function	2	
15	1619276600	Screw bolt	11	
25	1094251880	Junction box	1	
30	0211132303	Screw	4	
35	0301233500	Plain washer	4	
40	1094202200	Support	1	
45	1094202500	Cover	1	
55	1094191601	Winch connection	1	
60	1094322700	Cable	1	
65	1094175100	Winch	1	
75	1613080100	Pipe clamp	4	
80	1613080107	Pipe clamp	3	
85	1613080800	Bracket	1	
90	1094213500	Label	1	
95	1094213850	Arrow label	2	
100	1094202210	Bracket	1	
105	1619276600	Screw bolt	2	
110	1094251980	Winch switch box	1	
120	1094229500	Cap	1	
130	1094230420	Decal	1	

Options / accessories 1094251880\_00 Junction box



Refer to Parts Online for the most up to date information. The printed information might be outdated.

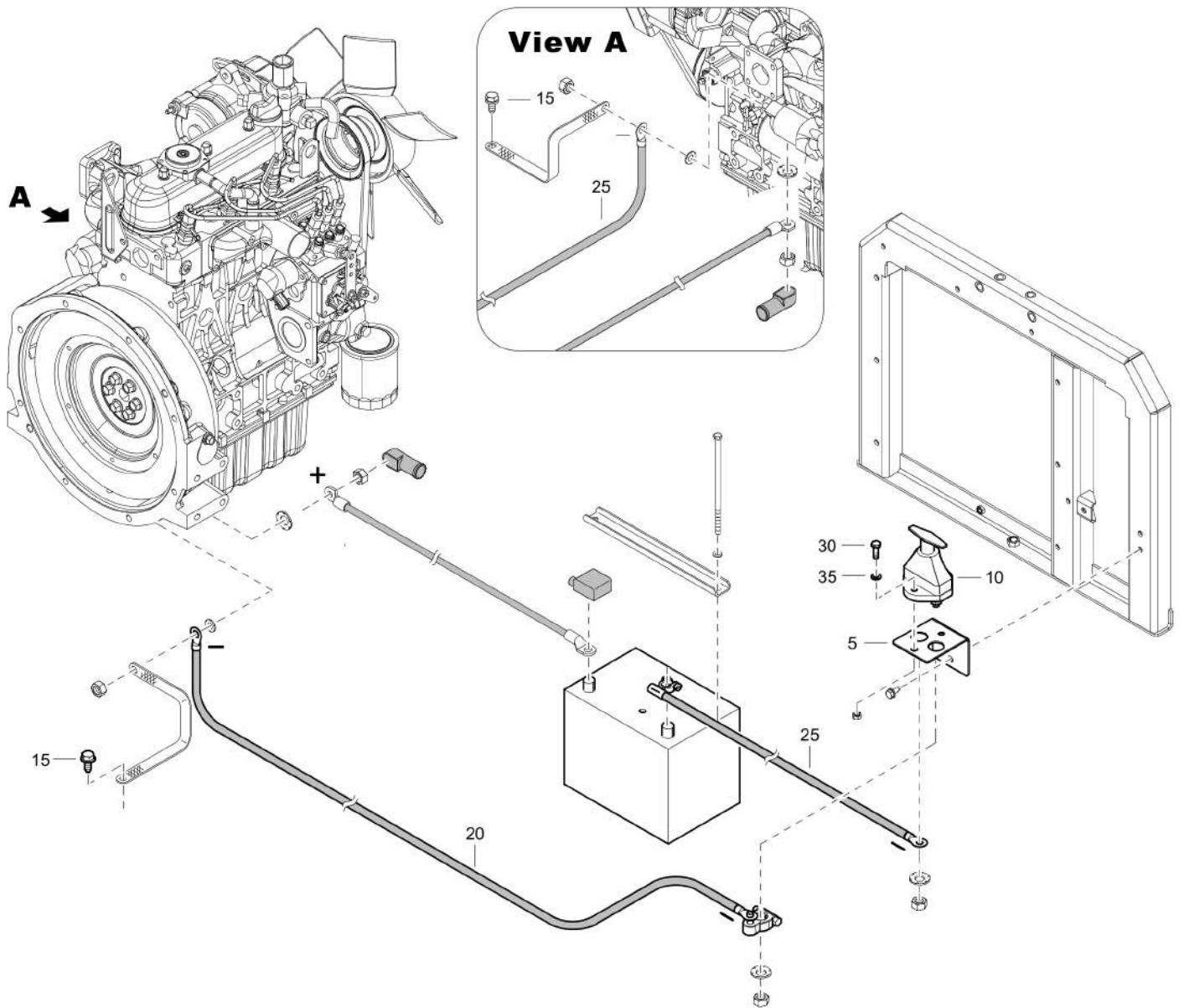
Mon Jun 01 13:16:24 UTC 2020

Item	Part No.	Name	Qty	L
1	1094251800	Plate	1	
2	1094217300	Clamp	1	
3	1094175120	Fuse	1	
4	1089938517	Isolator	2	
5	0301233500	Plain washer	4	
6	0147131903	Hexagon bolt	4	
7	0698514263	Connector	4	
8	0160099671	Screw	4	
9	1094186421	Plate	1	
10	1094175130	Relay	1	
11	0301231800	Washer	2	
12	0160606000	Slotted screw	2	
13	1089035801	Socket	2	
14	1089946343	Relay overload	2	
15	1094020700	Plate	1	
16	1089057703	Terminal	15	
17	1089057782	Plate	2	
18	0698514280	Connector	2	
19	1089942783	Connector	2	
20	1089942785	Connector	1	
21	1094172500	Fuse socket	2	
22	1089909212	Fuse	1	
23	1619589801	Hexagon screw	8	
24	1089909217	Fuse	1	
25	1088001906	Contact washer	1	
26	0291110800	Lock nut	1	
27	0301232100	Plain washer	1	
28	0698514276	Cable gland	1	

Refer to Parts Online for the most up to date information. The printed information might be outdated.

Mon Jun 01 13:16:24 UTC 2020

Options / accessories 1625091983\_00 Battery switch



Refer to Parts Online for the most up to date information. The printed information might be outdated.

Mon Jun 01 13:16:24 UTC 2020

Item	Part No.	Name	Qty	L
5	1094292800	Support	1	
10	1094088400	Battery switch	1	
15	1619276600	Screw bolt	1	
20	1094200801	Battery switch cable	1	
25	1094301600	Battery switch	1	
30	0301233500	Plain washer	2	
35	0147132503	Hexagonal bolt	2	

Refer to Parts Online for the most up to date information. The printed information might be outdated.

Mon Jun 01 13:16:24 UTC 2020

Any unauthorized use or copying of the contents or any part thereof is prohibited.  
This applies in particular to trademarks, model denominations, part numbers, and  
drawings.



[www.apr-tools.com](http://www.apr-tools.com)