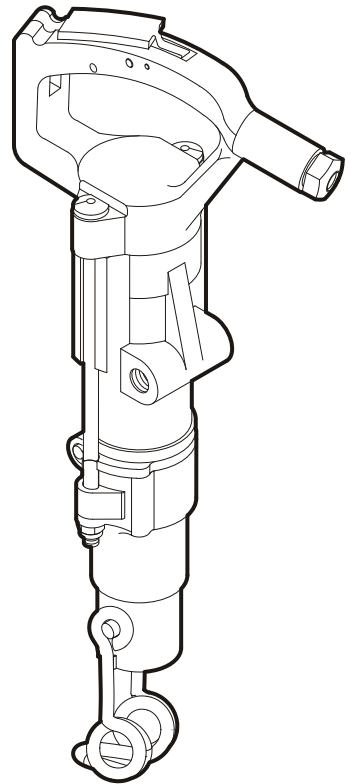




# **Spare parts list**

## **Handheld pneumatic drills**

### **CP 0014 RR, CP 0014 RRBS**





**2009-06**

**No.9800 0528 93b**

© Copyright Chicago Pneumatic Construction Tools  
STOCKHÖLM • SWEDEN



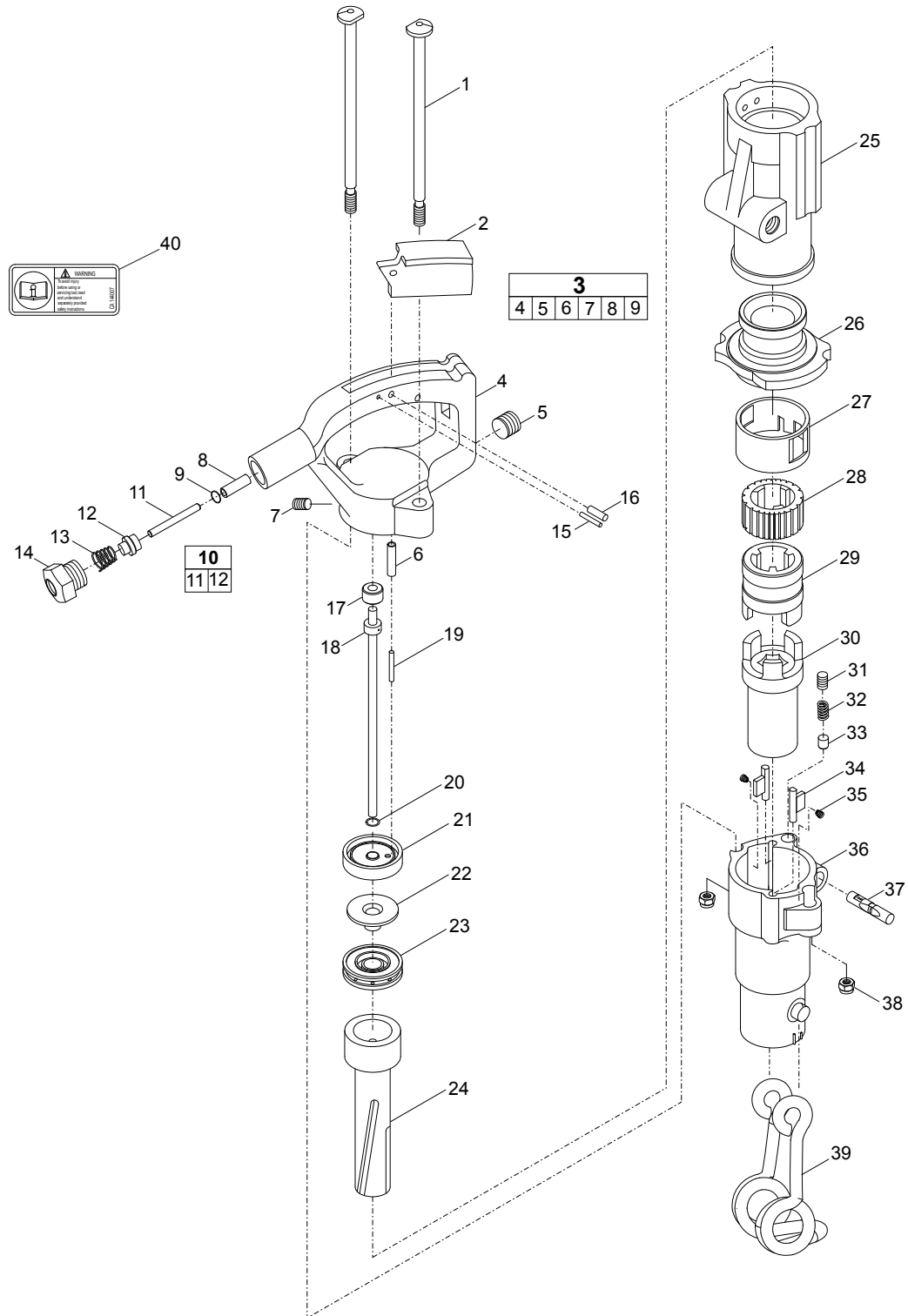
# Contents

<b>Spare parts list</b> .....	4
CP 0014 RR .....	4
CP 0014 RRBS .....	6
<b>Working tools</b> .....	8
ISO standard hexagon 22 x 82.5 mm ( $\frac{7}{8}$ " x $3\frac{1}{4}$ " ).....	8
US standard hexagon $\frac{7}{8}$ " x $3\frac{1}{4}$ " (22 x 82.5 mm).....	8



# Spare parts list

## CP 0014 RR

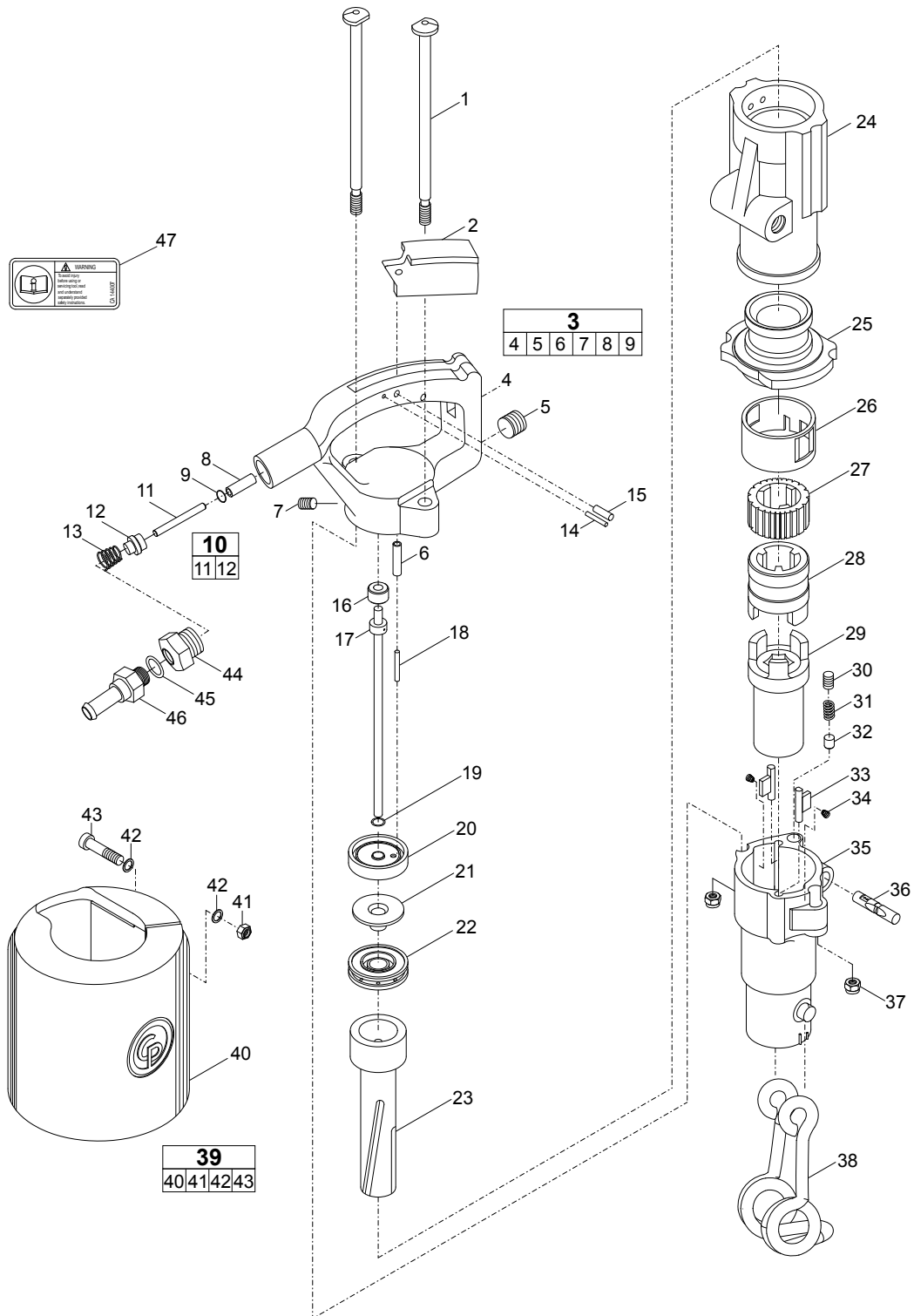




No.	Description	Remark	Quantity	Part number
1	Bolt - Thru		2	F061564
2	Lever - Throttle		1	F064534
<b>3(4-9)</b>	<b>Handle, complete</b>		1	R119157
4	Handle		1	-
5	Plug - Pipe	3/8"	1	C077941
6	Tube - Oil regulating		1	R085580
7	Plug - Pipe	1/4" NPTF	1	C068799
8	Bushing - Valve stem		1	R085599
9	O-ring		1	R086098
<b>10(11-12)</b>	<b>Valve - Throttle, complete</b>		1	R086329
11	Valve stem		1	-
12	Throttle valve head		1	-
13	Spring - Throttle valve		1	R085596
14	Bushing - Air inlet	3/8" NPT	1	R085595
15	Pin - Throttle lever stop		1	H082555
16	Pin throttle lever		1	A043627
17	Rubber tube		1	R085934
18	Tube - Air	dry blower	1	R079223
19	Plunger - Oil regulating		1	R085582
20	O-ring		1	C069083
21	Seat		1	R085935
22	Valve		1	R085591
23	Seat - Front valve		1	R085592
24	Piston		1	R000120
25	Cylinder		1	R085575
26	Bushing - Cylinder	with rotation release	1	R041684
27	Sleeve - Shifter		1	R051350
28	Ring - Ratchet		1	R093154
29	Sleeve - Chuck		1	R085601
30	Chuck	7/8" x 3 1/4" shank	1	R085600
31	Plug - Pipe	1/8"	1	C068064
32	Spring - Plunger		1	R051353
33	Plunger - Detent		1	R051349
34	Pawl		2	R085588
35	Spring - Pawl		2	R086654
36	Fronthead		1	R041685
37	Plunger - Shifter		1	R051348
38	Nut - Thru bolt		2	P070438
39	Retainer wire		1	R050584
40	Safety label		1	CA144007



# CP 0014 RRBS

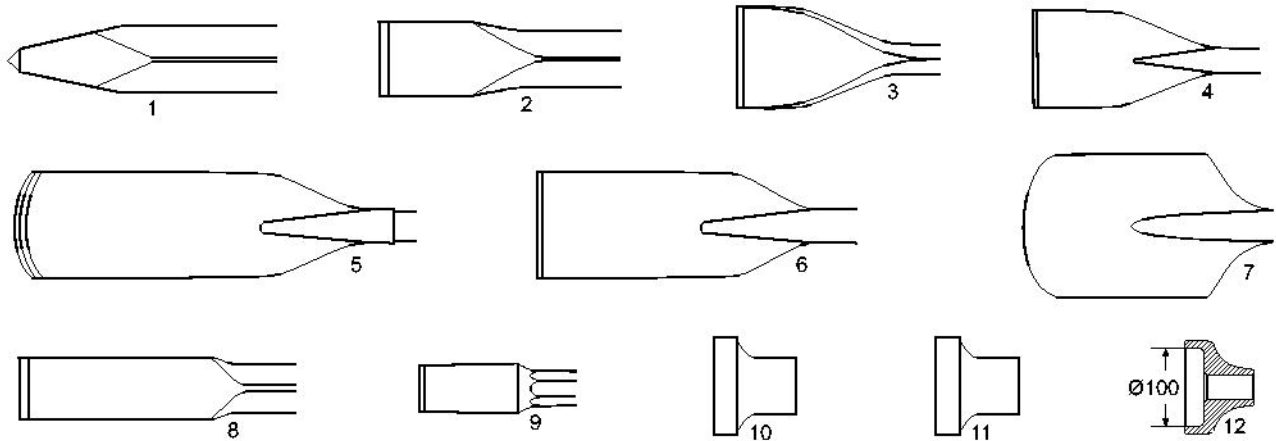




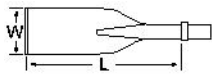
No.	Description	Remark	Quantity	Part number
1	Bolt - Thru		2	F061564
2	Lever - Throttle		1	F064534
<b>3(4-9)</b>	<b>Handle, complete</b>		1	R119157
4	Handle		1	-
5	Plug - Pipe	3/8"	1	C077941
6	Tube - Oil regulating		1	R085580
7	Plug - Pipe	1/4" NPTF	1	C068799
8	Bushing - Valve stem		1	R085599
9	O-ring		1	R086098
<b>10(11-12)</b>	<b>Valve - Throttle, complete</b>		1	R086329
11	Valve stem		1	-
12	Throttle valve head		1	-
13	Spring - Throttle valve		1	R085596
14	Pin - Throttle lever stop		1	H082555
15	Pin - Throttle lever		1	A043627
16	Rubber tube		1	R085934
17	Tube - Air	dry blower	1	R079223
18	Plunger - Oil regulating		1	R085582
19	O-ring		1	C069083
20	Seat		1	R085935
21	Valve		1	R085591
22	Seat - Front valve		1	R085592
23	Piston		1	R000120
24	Cylinder		1	R085575
25	Bushing - Cylinder	with rotation release	1	R041684
26	Sleeve - Shifter		1	R051350
27	Ring - Ratchet		1	R093154
28	Sleeve - Chuck		1	R085601
29	Chuck	7/8" x 3/4" shank	1	R085600
30	Plug - Pipe	1/8"	1	C068064
31	Spring - Plunger		1	R051353
32	Plunger - Detent		1	R051349
33	Pawl		2	R085588
34	Spring - Pawl		2	R086654
35	Fronthead		1	R041685
36	Plunger - Shifter		1	R051348
37	Nut - Thru bolt		2	P070438
38	Retainer - Wire		1	R050584
<b>39(40-43)</b>	<b>Muffler, complete</b>		1	F827044
40	Muffler		1	-
41	Lock nut		6	C037118
42	Washer		12	F826979
43	Cap screw		6	C051781
44	Bushing - Air inlet	3/8" BSP	1	F826645
45	Gasket - Hose tail		1	F064696
46	Hose tail		1	F827380
47	Safety label		1	CA144007



## Working tools

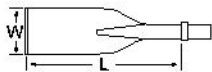


### ISO standard hexagon 22 x 82.5 mm ( $\frac{7}{8}$ " x $3\frac{1}{4}$ " )



No.	Description	W (mm)	L (mm)	Part number
1	Moil point	-	380	3083 3242 00
		-	1000	3083 3243 00
2	Narrow chisel	-	380	3083 3244 00
		-	1000	3083 3245 00
3	Wide chisel	75	380	3083 3246 00
4	Asphalt cutter	125	380	3083 3069 00
5	Digging chisel	75	450	3083 3247 00
6	Digging spade	120	400	3083 3248 00
7	Clay spade	125	430	3083 3249 00
8	Wedge chisel	35	380	3083 3250 00
9	Shaft for tamping pad	-	310	3083 3251 00
10	Tamping pad, round	175	-	3083 3252 10
11	Tamping pad, square	175	-	3083 3239 00
12	Driver pad, round	100	-	9245 2817 90

### US standard hexagon $\frac{7}{8}$ " x $3\frac{1}{4}$ " (22 x 82.5 mm)



No.	Description	W (in.)	L (in.)	Part number
1	Moil point	-	10	3083 4050 40
		-	14	3083 4050 00
		-	18	3083 4050 10
		-	24	3083 4050 20





No.	Description	W (in.)	L (in.)	Part number
2	Narrow chisel	-	10	3083 3303 10
		-	14	3083 3303 00
		-	18	3083 4051 10
		-	24	3083 3304 00
3	Wide chisel	4	14	3083 3305 00
		4¾	18	3083 4052 10
4	Asphalt cutter	5	16	3083 4053 00
5	Digging chisel	3	14	3083 3306 00
6	Digging spade	4¾	13	3083 3307 00
7	Clay spade	5	17	3083 3308 00
8	Wedge chisel	1¾	15	3083 4057 00
9	Shaft for tamping pad	-	8	3083 4058 00
10	Tamping pad, round	7	-	3083 3252 10
11	Tamping pad, square	7	-	3083 3239 00
12	Driver pad, round	4	-	9245 2817 90







**2009-06**

**No.9800 0528 93b**

© Copyright Chicago Pneumatic Construction Tools  
STOCKHÖLM • SWEDEN

**Chicago Pneumatic Construction Tools**