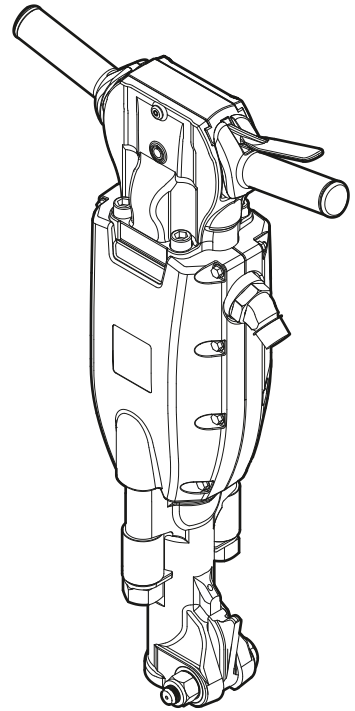




**Chicago
Pneumatic**

Spare parts list

**Handheld pneumatic breakers
CP 1260, CP 1260 S, CP 1260 SVR**



Contents

General information	5
Spare parts list	6
CP 1260	6
CP 1260 S	10
CP 1260 SVR	14
Working tools	17
US standard hexagon 1½ x 6 in. (28 x 152 mm)	17
US standard hexagon 1¼ x 6 in. (32 x 152 mm)	18
ISO standard hexagon 28 x 160 mm (1½ x 6¼ in.)	18
ISO standard hexagon 32 x 160 mm (1¼ x 6¼ in.)	19
Accessories	20
Hose rolls	20
Pre-mounted universal hoses with claw couplings	20
Water separator	21
Lubricator	21
CP airolene plus tool oil	21

General information

This spare parts list applies to the following:

Part number	Description
8900 0030 28	Handheld pneumatic breakers CP 1260 hexagon 1¼ x 6¼ in. (32 x 160 mm*)
8900 0030 29	Handheld pneumatic breakers CP 1260 hexagon 1⅝ x 6¼ in. (28 x 160 mm**)
8900 0030 30	Handheld pneumatic breakers CP 1260 S hexagon 1¼ x 6¼ in. (32 x 160 mm*)
8900 0030 31	Handheld pneumatic breakers CP 1260 S hexagon 1⅝ x 6¼ in. (28 x 160 mm**)
8900 0030 32	Handheld pneumatic breakers CP 1260 SVR hexagon 1¼ x 6¼ in. (32 x 160 mm*)
8900 0030 33	Handheld pneumatic breakers CP 1260 SVR hexagon 1⅝ x 6¼ in. (28 x 160 mm**)

*) Also for 1¼ x 6 in. (32 x 152 mm)

***) Also for 1⅝ x 6 in. (28 x 152 mm)

Use only authorized parts. Any damage or malfunction caused by the use of unauthorized parts is not covered by Warranty or Product Liability. Any unauthorized use or copying of the contents or any part thereof is prohibited. This applies in particular to trademarks, model denominations, part numbers, and drawings.

Instructions for use

This spare parts list contains no safety regulations and is merely intended to assist in the ordering of spare parts.

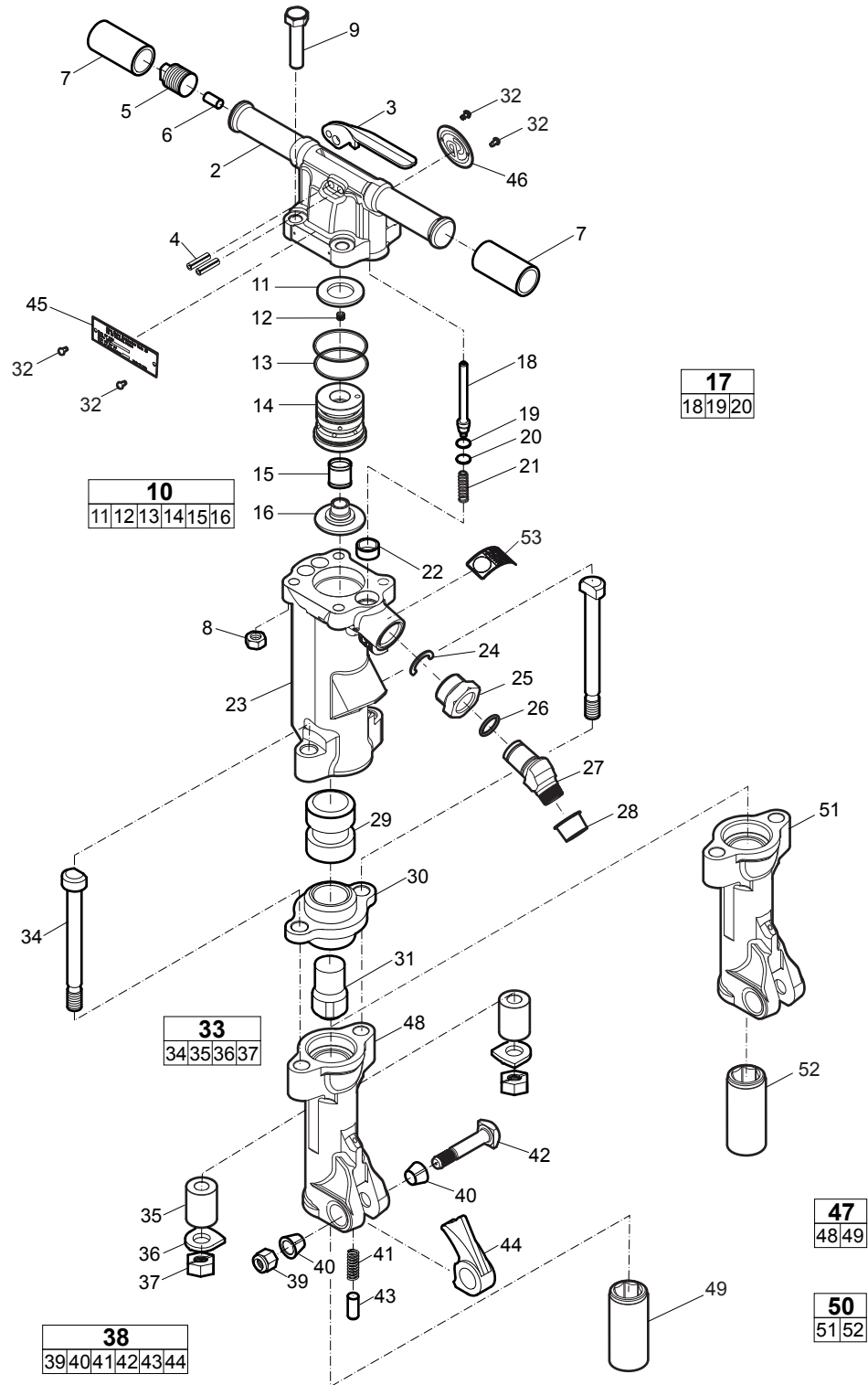
For information about operating, servicing, or repairing, the relevant Safety and operating instructions must be consulted at all costs.

Please observe the safety instructions listed in the relevant Safety and operating instructions!

Spare parts list

CP 1260

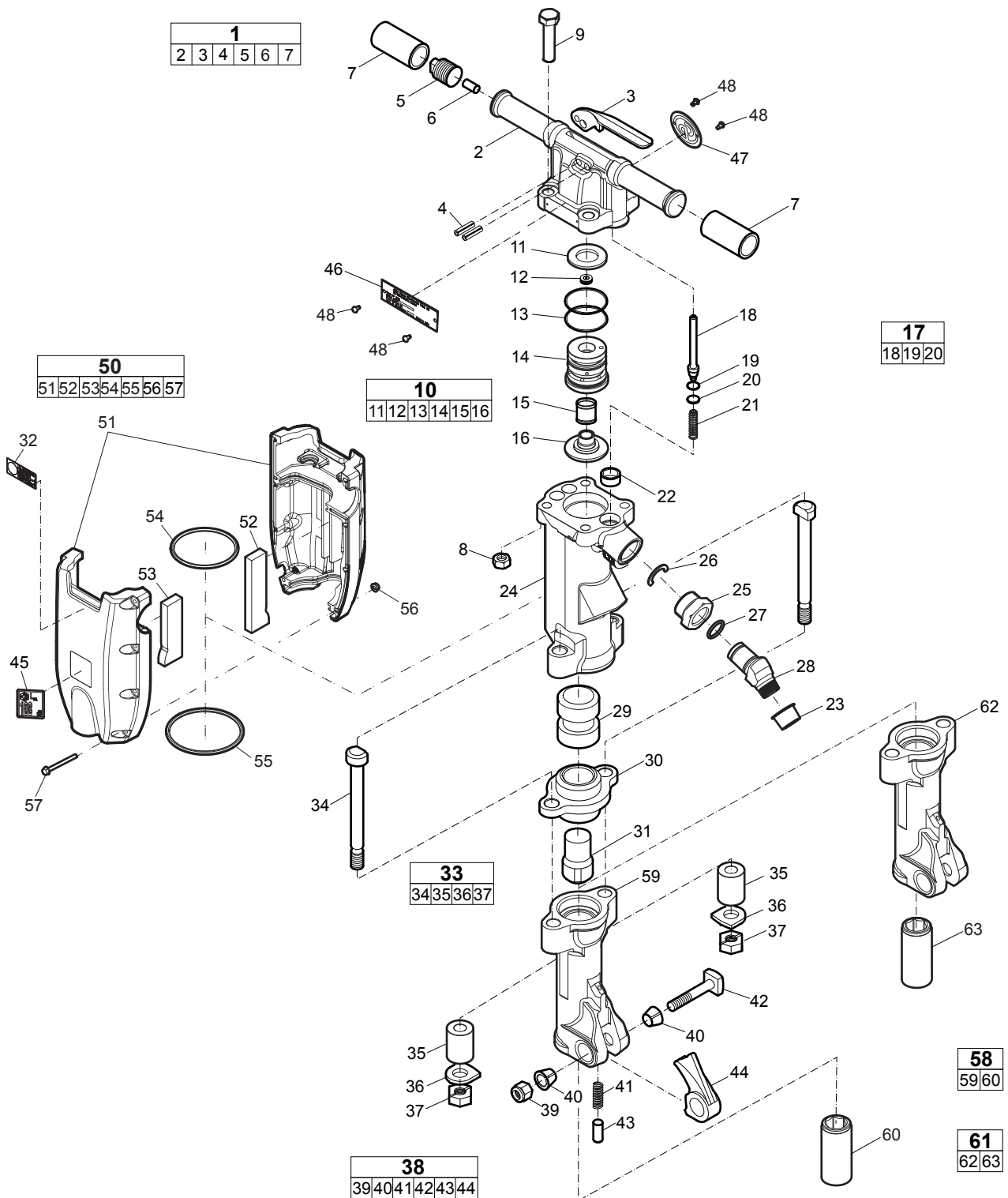
1						
2	3	4	5	6	7	



No.	Description	Remark	Quantity	Part number
1(2-7)	Backhead, complete		1	3303 0053 83
2	Backhead		1	-
3	Trigger		1	F814 725
4	Spring pin		2	R133 433
5	Plug - oil		1	R075 031
6	Oil wick		1	C036 901
7	Rubber grip		2	3303 0052 76
8	Nut	M14	4	0261 1099 53
9	Screw	M14 x 60 mm 8.8	4	0147 1959 60
10(11-16)	Valve case, complete		1	3303 0053 84
11	Washer	PU	1	3303 0053 11
12	Plug - valve case		1	P009 876
13	O-ring	ø55.56 x 2.38 mm ø2.19 x 0.09 in.	2	R049 854
14	Valve case		1	R047 958
15	Valve		1	3303 0053 27
16	Lid - valve case		1	R047 960
17(18-20)	Valve - throttle, complete		1	R092 894
18	Valve - throttle		1	-
19	Seal - throttle valve		1	R098 368
20	Retaining ring - throttle valve		1	R098 369
21	Spring - throttle valve		1	R005 717
22	Seal - cylinder		1	R047 965
23	Cylinder		1	3303 0052 71
24	Lock washer		1	3310 1059 00
25	Swivel nut		1	3310 1044 00
26	O-ring		1	0663 2126 00
27	Swivel		1	3303 0050 12
28	Plug	Transport protection. Remove before use.	1	-
29	Piston		1	R047 967
30	Bushing - anvil block		1	R047 966
31	Block - anvil		1	R085 260
32	Drive screw		4	P081 333
33(34-37)	Side bolt, complete		1	3303 0053 85
34	Bolt - fronthead		2	R047 970
35	Buffer	PU	2	3303 0053 12
36	Lock washer - fronthead bolt		2	R090 584
37	Nut - fronthead		2	R005 721
38(39-44)	Latch, complete		1	3303 0053 88
39	Nut	Nyloc	1	P008 999
40	Bushing - retainer latch		2	R076 562
41	Spring - plunger		1	R086 982
42	Bolt - latch		1	R076 853
43	Plunger - latch		1	R092 497
44	Retainer - latch		1	3303 0053 65
45	Data plate		1	-
46	Product label	"CP"	1	3303 0053 10
47(48-49)	Fronthead, complete		1	3303 0053 91
48	Fronthead	Hexagon, 32 mm Hexagon, 1¼ in.	1	-
49	Bushing - fronthead	Hexagon, 32 mm Hexagon, 1¼ in.	1	R040 635

No.	Description	Remark	Quantity	Part number
50(51-52)	Fronthead, complete		1	3303 0053 92
51	Fronthead	Hexagon, 28 mm Hexagon, 1 1/8 in.	1	-
52	Bushing - fronthead	Hexagon, 28 mm Hexagon, 1 1/8 in.	1	R090 122
53	Label	Safety	1	3310 1602 00

CP 1260 S



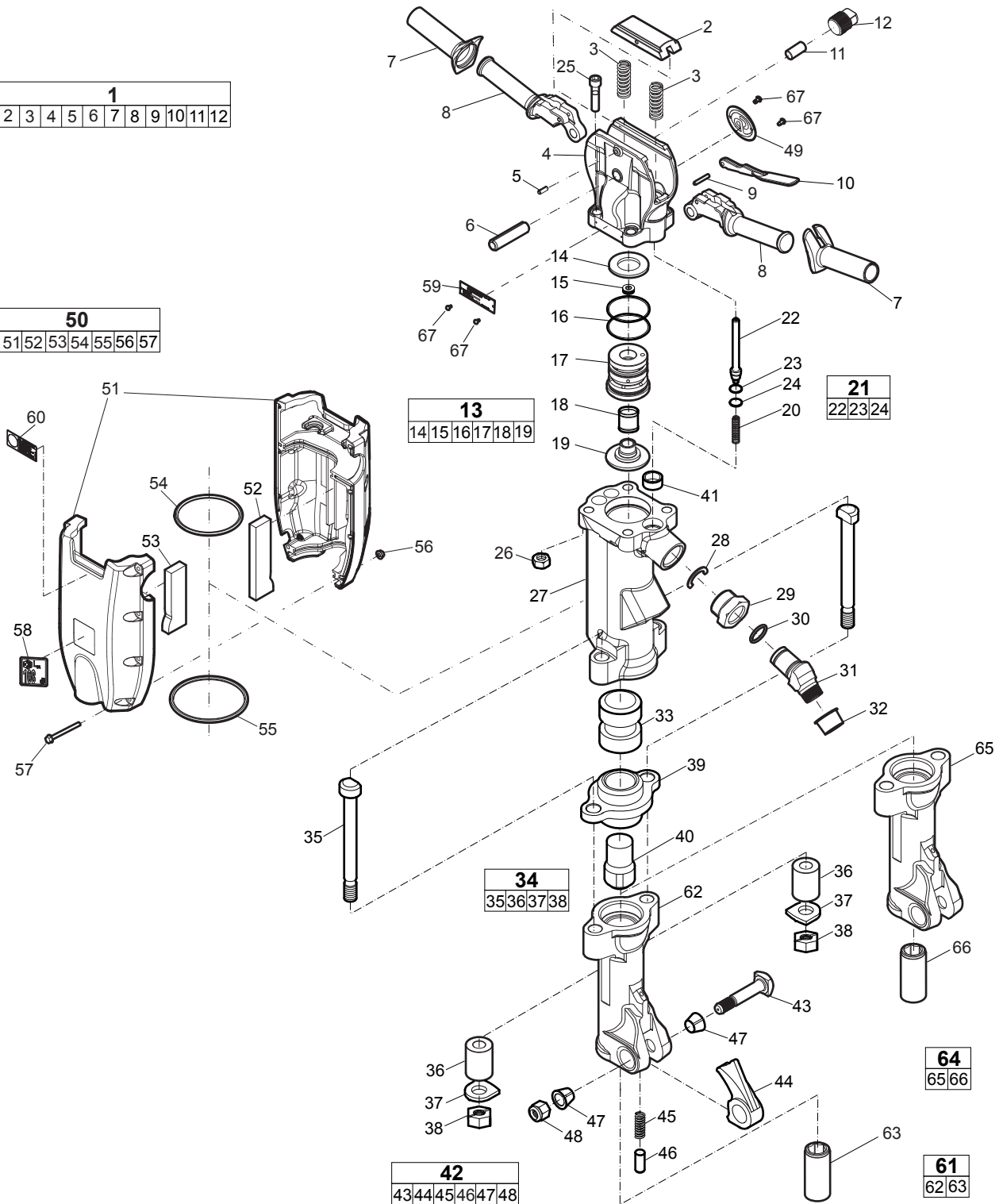
No.	Description	Remark	Quantity	Part number
1(2-7)	Backhead, complete		1	3303 0053 83
2	Backhead		1	-
3	Trigger		1	F814 725
4	Spring pin		2	R133 433
5	Plug - oil		1	R075 031
6	Oil wick		1	C036 901
7	Rubber grip		2	3303 0052 76
8	Nut	Hexagon M14	4	0261 1099 53
9	Screw	M14 x 60 8.8	4	0147 1959 60
10(11-16)	Valve case, complete		1	3303 0053 84
11	Washer	PU	1	3303 0053 11
12	Plug - valve case		1	P009 876
13	O-ring	ø55.56 x 2.38 mm ø2.19 x 0.09 in.	2	R049 854
14	Valve case		1	R047 958
15	Valve		1	3303 0053 27
16	Lid - valve case		1	R047 960
17(18-20)	Valve - throttle, complete		1	R092 894
18	Valve - throttle		1	-
19	Seal - throttle valve		1	R098 368
20	Retaining ring - throttle valve		1	R098 369
21	Spring - throttle valve		1	R005 717
22	Seal - cylinder		1	R047 965
23	Plug	Transport protection. Remove before use.	1	-
24	Cylinder		1	3303 0052 71
25	Nut - swivel		1	3310 1044 00
26	Lock washer		1	3310 1059 00
27	O-ring		1	0663 2126 00
28	Swivel		1	3303 0050 12
29	Piston		1	R047 967
30	Bushing - anvil block		1	R047 966
31	Block - anvil		1	R085 260
32	Label	Safety	1	3310 1602 00
33(34-37)	Side bolt, complete		1	3303 0053 85
34	Bolt - fronthead		2	R047 970
35	Buffer	PU	2	3303 0053 12
36	Lock washer - fronthead nut		2	R090 584
37	Nut - fronthead bolt		2	R005 721
38(39-44)	Latch, complete		1	3303 0053 88
39	Nut	Nyloc	1	P008 999
40	Bushing - retainer latch		2	R076 562
41	Spring - plunger		1	R086 982
42	Bolt - latch		1	R076 853
43	Plunger - latch		1	R092 497
44	Latch - retainer		1	3303 0053 65
45	Label	Sound power level 110 dB	1	H418 3044
46	Data plate		1	-
47	Product label	"CP"	1	3303 0053 10
48	Drive screw		4	P081 333

No.	Description	Remark	Quantity	Part number
50(51-57)	Muffler, complete		1	3303 0053 86
51	Muffler		1	3303 0053 19
52	Separation wall		1	3303 0052 79
53	Separation wall		1	3303 0052 80
54	O-ring	ø94.1 x 5.7 mm ø3.70 x 0.22 in.	1	0663 2146 00
55	O-ring	ø109.1 x 5.7 mm ø4.30 x 0.22 in	1	0663 2149 00
56	Flange nut		8	9232 0207 50
57	Flange screw		8	0147 3000 32
58(59-60)	Fronthead, complete		1	3303 0053 91
59	Fronthead	Hexagon, 32 mm Hexagon, 1¼ in.	1	-
60	Bushing - fronthead	Hexagon, 32 mm Hexagon, 1¼ in.	1	R040 635
61(62-63)	Fronthead, complete		1	3303 0053 92
62	Fronthead	Hexagon, 28 mm Hexagon, 1¼ in.	1	-
63	Bushing - fronthead	Hexagon, 28 mm Hexagon, 1¼ in.	1	R090 122

CP 1260 SVR

1											
2	3	4	5	6	7	8	9	10	11	12	

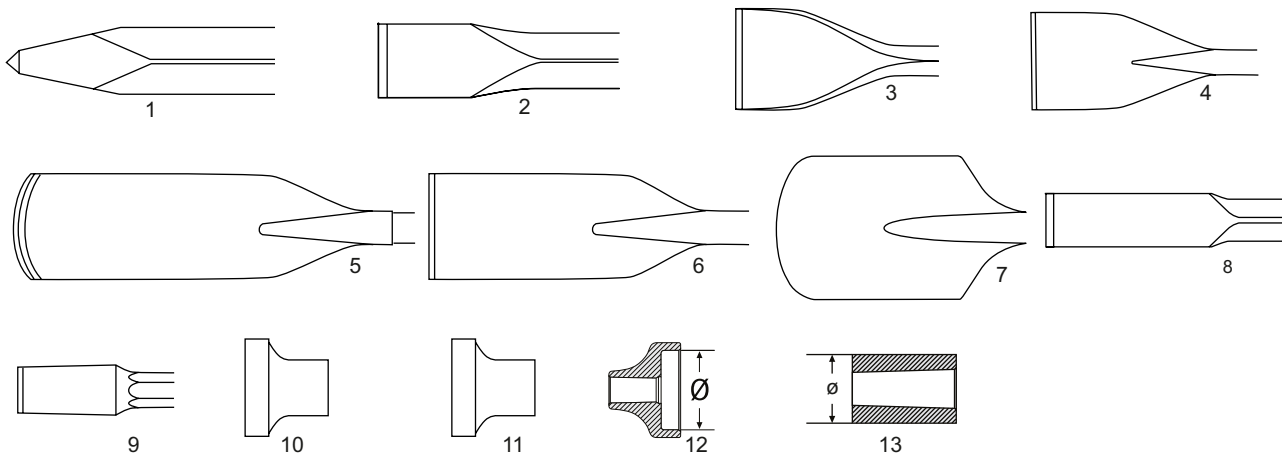
50						
51	52	53	54	55	56	57



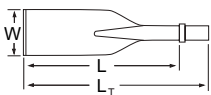
No.	Description	Remark	Quantity	Part number
1(2-12)	Backhead, complete		1	3303 0053 89
2	Cover		1	3303 0053 64
3	Spring - handle		2	3303 0053 01
4	Backhead		1	-
5	Spring pin		1	0108 1322 00
6	Spring pin		1	0108 1535 00
7	Rubber grip		2	3303 0053 07
8	Handle		2	3303 0052 81
9	Spring pin	ø6 x 36 mm ø0.24 x 1.41 in.	1	0108 1331 00
10	Trigger		1	3303 0053 05
11	Oil wick		1	C036 901
12	Oil plug		1	R075 031
13(14-19)	Valve case, complete		1	3303 0053 84
14	Washer	PU	1	3303 0053 11
15	Plug - valve case		1	P009 876
16	O-ring	ø55.56 x 2.38 mm ø2.19 x 0.09 in.	2	R049 854
17	Valve case		1	R047 958
18	Valve		1	3303 0053 27
19	Lid - valve case		1	R047 960
20	Spring - throttle valve		1	R005 717
21(22-24)	Valve throttle, complete		1	3303 0053 79
22	Valve - throttle		1	-
23	Seal - throttle valve		1	R098 368
24	Retaining ring - throttle valve		1	R098 369
25	Screw	M14 x 60 mm 8.8	4	0211 1711 05
26	Nut	M14	4	0261 1099 53
27	Cylinder		1	3303 0052 71
28	Lock washer		1	3310 1059 00
29	Swivel nut		1	3310 1044 00
30	O-ring		1	0663 2126 00
31	Air inlet swivel		1	3303 0050 12
32	Plug	Transport protection. Remove before use.	1	-
33	Piston		1	R047 967
34(35-38)	Side bolt, complete		1	3303 0053 85
35	Bolt - fronthead		2	R047 970
36	Buffer	PU	2	3303 0053 12
37	Lock washer - fronthead bolt		2	R090 584
38	Nut - fronthead bolt		2	R005 721
39	Bushing - anvil block		1	R047 966
40	Block - anvil		1	R085 260
41	Seal - cylinder		1	R047 965
42(43-48)	Latch, complete		1	3303 0053 88
43	Bolt - latch		1	R076 853
44	Latch - retainer		1	3303 0053 65
45	Spring - plunger		1	R086 982
46	Plunger - latch		1	R092 497
47	Bushing - retainer latch		2	R076 562
48	Nut	Nyloc	1	P008 999
49	Product label	"CP"	1	3303 0053 10

No.	Description	Remark	Quantity	Part number
50(51-57)	Muffler, complete		1	3303 0053 86
51	Muffler		1	3303 0053 19
52	Separation wall		1	3303 0052 79
53	Separation wall		1	3303 0052 80
54	O-ring	ø94.1 x 5.7 mm ø3.70 x 0.22 in.	1	0663 2146 00
55	O-ring	ø109.1 x 5.7 mm ø4.30 x 0.22 in.	1	0663 2149 00
56	Flange nut		8	9232 0207 50
57	Flange screw		8	0147 3000 32
58	Label	Sound power level 110 dB	1	H418 3044
59	Data plate		1	-
60	Label	Safety	1	3310 1602 00
61(62-63)	Fronthead, complete		1	3303 0053 91
62	Fronthead	Hexagon, 32 mm Hexagon, 1¼ in.	1	-
63	Bushing - fronthead	Hexagon, 32 mm Hexagon, 1¼ in.	1	R040 635
64(65-66)	Fronthead, complete		1	3303 0053 92
65	Fronthead	Hexagon, 28 mm Hexagon, 1½ in.	1	-
66	Bushing - fronthead	Hexagon, 28 mm Hexagon, 1½ in.	1	R090 122
67	Drive screw		4	P081 333

Working tools



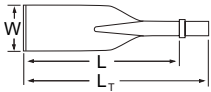
US standard hexagon 1 1/8 x 6 in. (28 x 152 mm)



Point to flat

No.	Description	W (in.)	L (in.)	L _T (in.)	Wt (lb)	Part number
1	Moil point	-	14	20	6.0	3083 3267 00
		-	18	24	7.1	3083 4015 10
		-	24	30	9.0	3083 4015 20
		-	36	42½	12.8	3083 4015 30
2	Narrow chisel	-	14	20	6.0	3083 3268 00
		-	18	24	7.1	3083 4016 10
		-	24	30½	9.0	3083 4016 20
		-	36	42½	12.8	3083 4016 30
3	Wide chisel	3	15	21	6.8	3083 3289 00
		3	18	24	7.7	3083 4017 00
		3	24	31	9.5	3083 4017 10
		3	36	42½	13.0	3083 4017 20
4	Asphalt cutter	4½	11	17½	7.7	3083 4019 00
		5	13	19½	9.0	3083 3290 00
5	Digging chisel	3	15	21	9.0	3083 3291 00
6	Digging spade	5	13	19	9.0	3083 3292 00
7	Clay spade	5½	15	21	9.9	3083 3293 00
8	Wedge chisel	2	16	22	11.0	3083 3294 00
9	Shaft for tamping pad	-	9	16	6.4	3083 3269 00
10	Tamping pad, round	Ø7	-	-	15.7	3083 3301 00
11	Tamping pad, square	6	-	-	18.1	3083 3302 00
		8	-	-	22.0	3083 3197 00
12	Driving pad	Ø4¾	-	-	16.8	3376 1120 79
		Ø6	-	-	19.2	3376 1120 77
13	Driver blank	Ø3	-	-	7.5	9245 2827 10

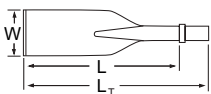
US standard hexagon 1¼ x 6 in. (32 x 152 mm)



Point to flat

No.	Description	W (in.)	L (in.)	L _T (in.)	Wt (lb)	Part number
1	Moil point	-	14	20	7.3	3083 3285 00
		-	18	24	8.6	3083 4000 10
		-	24	30½	11.2	3083 4000 20
		-	36	42½	15.4	3083 4000 30
2	Narrow chisel	-	14	20	7.0	3083 3286 00
		-	18	24	8.4	3083 4001 10
		-	24	30½	10.8	3083 4001 20
		-	36	42½	15.4	3083 4001 30
3	Wide chisel	3	15	20	7.9	3083 3295 00
		3	18	24	9.3	3083 4002 00
		3	24	30½	11.2	3083 4002 10
		3	36	42½	14.8	3083 4002 20
4	Asphalt cutter	4½	12	18½	8.8	3083 4004 00
		5	13	19½	9.0	3083 3296 00
5	Digging chisel	3	15	21	9.9	3083 3297 00
6	Digging spade	5	13	19	9.5	3083 3298 00
7	Clay spade	5½	15	21	11.7	3083 3299 00
8	Wedge chisel	2	16	22	11.5	3083 3300 00
9	Shaft for tamping pad	-	9	16	6.8	3083 3287 00
10	Tamping pad, round	Ø7	-	-	15.7	3083 3301 00
11	Tamping pad, square	6	-	-	18.1	3083 3302 00
		8	-	-	22.0	3083 3197 00
12	Driving pad	Ø4¾	-	-	16.8	3376 1120 79
		Ø6	-	-	19.2	3376 1120 77
13	Driver blank	Ø3	-	-	7.5	9245 2827 10

ISO standard hexagon 28 x 160 mm (1⅛ x 6¼ in.)

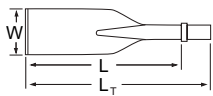


Point to flat

No.	Description	W (mm)	L (mm)	L _T (mm)	Wt (kg)	Part number
1	Moil point	-	380	545	2.9	3083 3271 00
		-	450	615	3.2	3083 3272 00
		-	1000	1165	6.2	3083 3273 00
2	Narrow chisel	-	380	545	2.8	3083 3274 00
		-	450	615	3.3	3083 3275 00
		-	1000	1165	6.4	3083 3276 00
3	Wide chisel	75	380	545	3.0	3083 3277 00
4	Asphalt cutter	115	300	465	3.7	3083 3278 00
5	Digging chisel	75	380	545	4.1	3083 3279 00
6	Digging spade	125	380	545	4.6	3083 3280 00
7	Clay spade	140	380	545	4.1	3083 3281 00
8	Wedge chisel	40	400	565	3.9	3083 3282 00

No.	Description	W (mm)	L (mm)	L _T (mm)	Wt (kg)	Part number
9	Shaft for tamping pad	-	230	395	3.0	3083 3283 01
10	Tamping pad, round	Ø180	-	-	7.1	3083 3301 00
11	Tamping pad, square	150 200	- -	- -	8.2 10.0	3083 3302 00 3083 3197 00
12	Driving pad	Ø120 Ø150	- -	- -	7.6 8.7	3376 1120 79 3376 1120 77
13	Driver blank	Ø80	-	-	3.4	9245 2827 10

ISO standard hexagon 32 x 160 mm (1¼ x 6¼ in.)



Point to flat

No.	Description	W (mm)	L (mm)	L _T (mm)	Wt (kg)	Part number
1	Moil point	-	380 450 1000	545 615 1165	3.5 3.9 7.6	3083 3205 00 3083 3206 00 3083 3207 00
2	Narrow chisel	-	380 450 1000	545 615 1165	3.5 4.0 7.5	3083 3208 00 3083 3209 00 3083 3210 00
3	Wide chisel	75	380	545	3.7	3083 3211 00
4	Asphalt cutter	115	300	465	4.0	3083 3212 00
5	Digging chisel	75	380	545	4.4	3083 3213 00
6	Digging spade	125	380	545	4.9	3083 3214 00
7	Clay spade	140	380	545	4.4	3083 3215 00
8	Wedge chisel	40	400	565	3.8	3083 3216 00
9	Shaft for tamping pad	-	235	400	3.1	3083 3218 01
10	Tamping pad, round	Ø180	-	-	7.1	3083 3301 00
11	Tamping pad, square	150 200	- -	- -	8.2 10.0	3083 3302 00 3083 3197 00
12	Driving pad	Ø120 Ø150	- -	- -	7.6 8.7	3376 1120 79 3376 1120 77
13	Driver blank	Ø80	-	-	3.4	9245 2827 10

Accessories

Hose rolls

Metric

Description	Inner diameter (mm)	Thickness (mm)	Maximum working pressure (bar)	Length of roll (m)	Weight (kg)	Part number
Red-X hose roll	19	2.0	20	60	11	8900 0050 10
Red-X hose roll	19	2.0	20	100	18	8900 0050 11
Red-X hose roll	19	2.0	20	200	36	8900 0050 12
Red-X hose roll	25	2.5	20	60	15	8900 0050 20
Red-X hose roll	25	2.5	20	100	25	8900 0050 21
Red-X hose roll	25	2.5	20	200	50	8900 0050 22

Imperial

Description	Inner diameter (in.)	Thickness (in.)	Maximum working pressure (psi)	Length of roll (ft)	Weight (lb)	Part number
Red-X hose roll	$\frac{3}{4}$	$\frac{5}{64}$	290	195	24.3	8900 0050 10
Red-X hose roll	$\frac{3}{4}$	$\frac{5}{64}$	290	325	39.7	8900 0050 11
Red-X hose roll	$\frac{3}{4}$	$\frac{5}{64}$	290	650	79.4	8900 0050 12
Red-X hose roll	1	$\frac{3}{32}$	290	195	33.1	8900 0050 20
Red-X hose roll	1	$\frac{3}{32}$	290	325	55.1	8900 0050 21
Red-X hose roll	1	$\frac{3}{32}$	290	650	110.2	8900 0050 22

Pre-mounted universal hoses with claw couplings

Metric

Description	Inner diameter (mm)	Thickness (mm)	Maximum working pressure (bar)	Length of roll (m)	Weight (kg)	Part number
Red-X universal hose	19	2.0	20	20	4.5	8900 0050 09
Red-X universal hose	25	2.5	20	20	6.0	8900 0050 23

Imperial

Description	Inner diameter (in.)	Thickness (in.)	Maximum working pressure (psi)	Length of roll (ft)	Weight (lb)	Part number
Red-X universal hose	$\frac{3}{4}$	$\frac{5}{64}$	290	50	8.8	8900 0050 08
Red-X universal hose	1	$\frac{3}{32}$	290	50	11.0	8900 0050 24

Water separator

Metric

Description	Hose connection (mm)	Air flow (l/s)	Weight (kg)	Part number
Water separator (¾ in. BSP)	20	61	0.8	8900 0050 00

Imperial

Description	Hose connection (in.)	Air flow (foot ³ /min)	Weight (lb)	Part number
Water separator (¾ in. NPT)	¾	130	1.8	8900 0050 01

Lubricator

Metric

Description	Hose connection (mm)	Air flow (l/s)	Oil volume (l)	Weight (kg)	Part number
Lubricator 1300 (1 in. BSP)	25	15-140	1.3	3	8900 0050 02

Imperial

Description	Hose connection (in.)	Air flow (foot ³ /min)	Oil volume (US gallon)	Weight (lb)	Part number
Lubricator 43 (1 in. NPT)	1	32-300	0.34	6.6	8900 0050 07

CP airolene plus tool oil

Metric

Description	Oil volume (l)	Part number
5 l container	5	8099 0202 49
4 x 5 l container	20	8099 0202 51

Imperial

Description	Oil volume (US gallon)	Part number
1.32 US gallon container	1.32	8099 0202 49
4 x 1.32 US gallon container	5.28	8099 0202 51

