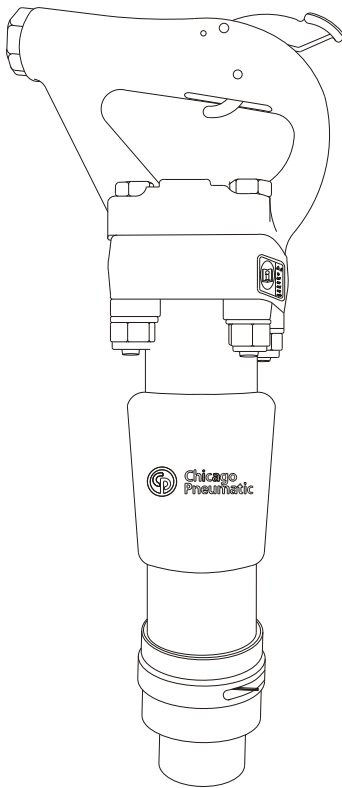




Spare Parts List

CP 4130 Chipping Hammer



www.cp.com



2005-01
No. 9800 0539 01

© Copyright
STOCKHOLM • SWEDEN

Contents

Pages

General information..... 4

Exploded views and tables 6, 7

GENERAL INFORMATION

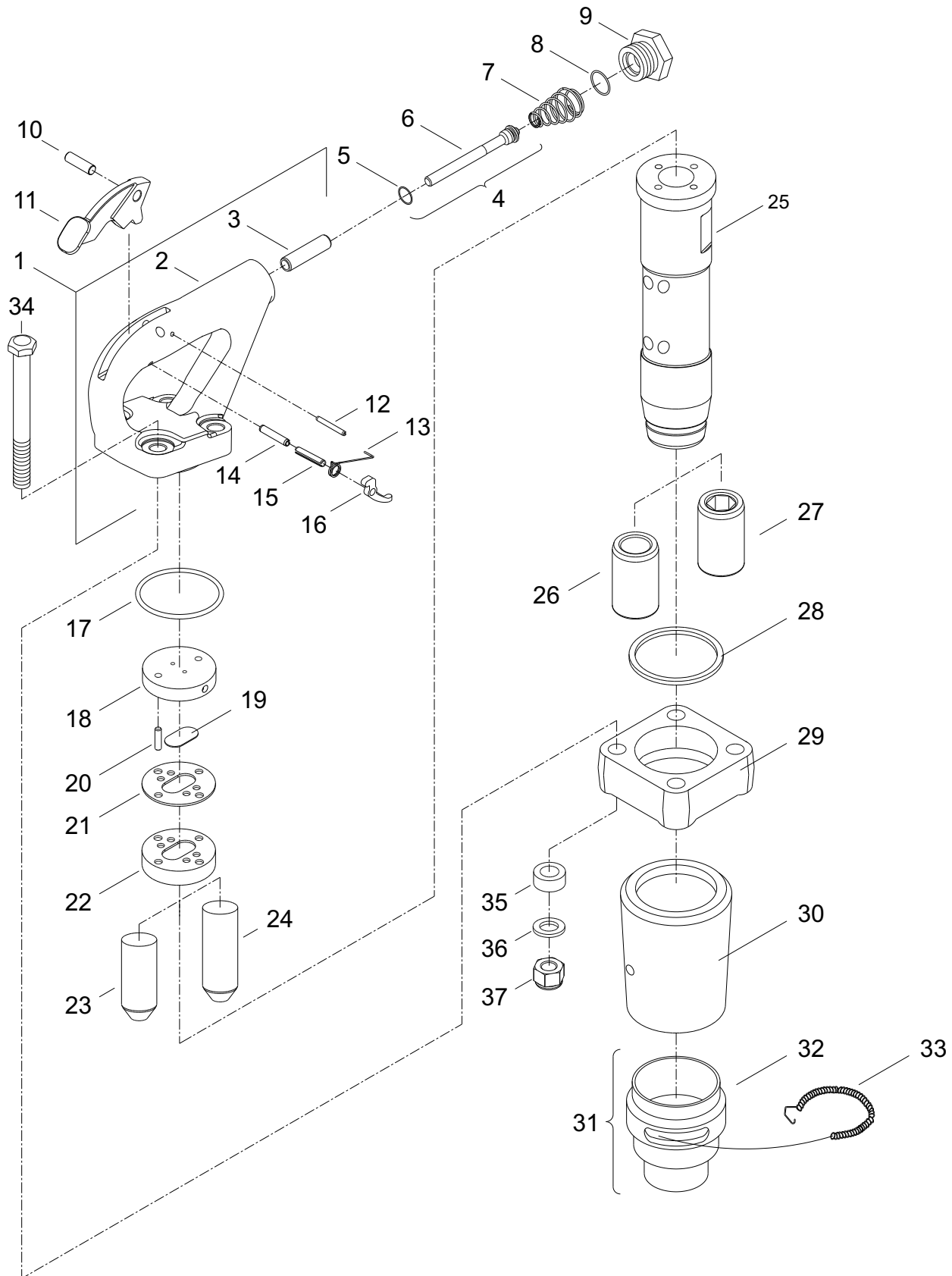
Welcome! Protect your investment in the world's finest air tools. Use genuine CP replacement parts.

The purchase of replacement parts for your CP tools deserves the same good judgment that resulted in the buying of the tools themselves. Each genuine CP part is made from carefully selected and inspected material, subjected to sophisticated machinery and finishing processes and heat-treated to produce just the right combination of hardness, ductility and impact resistance for its intended use. All parts are manufactured concurrently with those used in production tools, and are identical to them. The use of parts other than genuine CP replacement parts can lead to substandard performance, early failure, possible damage of other parts and, in some instances, unsafe conditions.

To reduce the risk of injury, read and understand the Operating Instructions manual and the percussion tool safety instructions before operating the tool.

CP 4130 is a pneumatic tool designed for light concrete demolition, soft tunneling, pile-capping and bridge work applications.

EXPLODED VIEW OF CP 4130 3R , CP 4130 3H CP 4130 4R , CP 4130 4H



Ref. No.	Ordering No.	Qty.	Description
CP 4130 Chipping Hammer			
1	Z8342857	1	Handle (Includes item No. 2 & 3)
2		1	Handle
3		1	Throttle valve Bush
4	R157957	1	Throttle valve (Includes item No. 5 & 6)
5	R138140	1	O-ring (Throttle valve)
6		1	Throttle valve
7	R157960	1	Throttle valve spring
8	C046471	1	O-ring (Air inlet bushing)
9	R085595	1	Air inlet bushing
10	A043627	1	Pin - Lever
11	R157990	1	Lever
12	G071660	1	Pin - Stop (1/8")
13	R157956	1	Lock-off spring
14	R158137	1	Pin - Lock-off trigger (5/32")
15	R158138	1	Pin - Lock-off trigger (3/32")
16	R157955	1	Lock-off trigger
17	C116352	1	O-ring
18	P071350	1	Lid - Upper valve case
19	P071358	1	Valve
20	A041797	2	Pin - Dowel
21	P071352	1	Case - Valve
22	P071351	1	Lid - Lower valve case
23	P118662	1	Piston - 3"
24	P118678	1	Piston - 4"
25		1	Cylinder
26	P001550	1	Bushing - Round
27	P001551	1	Bushing - Hex
28	R157952	1	Ring - Clamp
29	R157951	1	Flange - Cylinder
30	P155535	1	Muffler
31	P107243	1	Sleeve - Retainer (Includes item No. 32 & 33)
32	P070994	1	Spring - Lock coil
33		1	Sleeve - Retainer
34	R157954	4	Bolt
35	R155421	4	Bumper
36	R158143	4	Washer
37	R157953	4	Nyloc nut



2005-01
No. 9800 0539 01
© Copyright
Stockholm, Sweden

