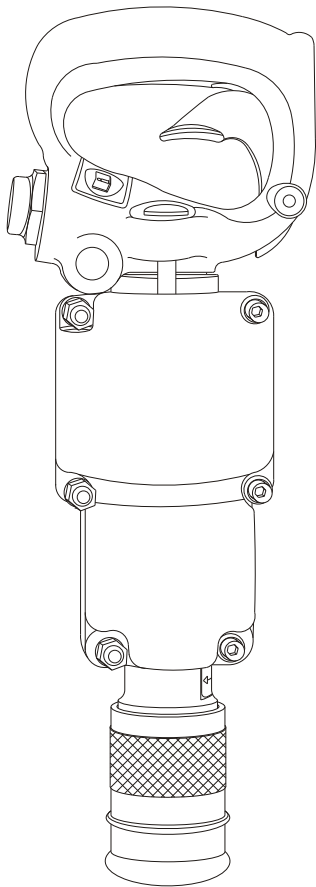




Spare Parts List

CP 0009 Drill



www.cp.com



2005-08
No. 9800 0515 01
© Copyright
Stockholm, Sweden

Contents

Pages

General information.....	4
Useful information.....	5
Exploded views and tables	6-9

GENERAL INFORMATION

Welcome! Protect your investment in the world's finest air tools. Use genuine CP replacement parts.

The purchase of replacement parts for your CP tools deserves the same good judgment that resulted in the buying of the tools themselves. Each genuine CP part is made from carefully selected and inspected material, subjected to sophisticated machinery and finishing processes and heat-treated to produce just the right combination of hardness, ductility and impact resistance for its intended use. All parts are manufactured concurrently with those used in production tools, and are identical to them. The use of parts other than genuine CP replacement parts can lead to substandard performance, early failure, possible damage of other parts and, in some instances, unsafe conditions.

To reduce the risk of injury, read and understand the Operating Instructions manual and the percussion tool safety instructions before operating the tool.

CP 0009 is a pneumatic tool designed for light concrete demolition, soft tunneling, pile-capping and bridge work applications.

CP 0009 tools are both a drill and a chipping hammer.

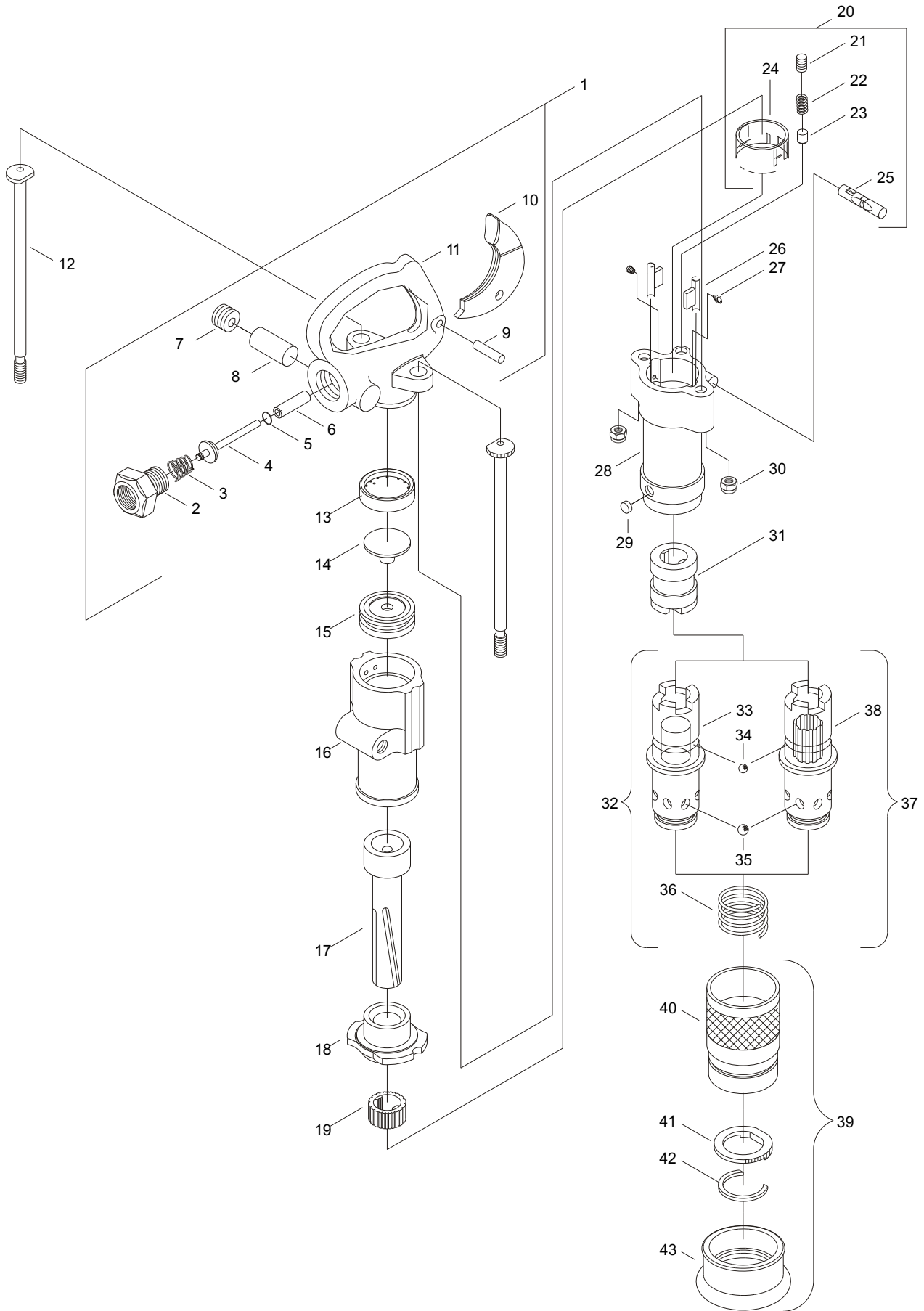
The CP 0009 rotary hammers are designed for a wide variety of constructions and maintenance applications such as driving or setting masonry anchors and drilling holes in concrete, bricks or rock.

As a hammer, these tools can be used for chipping, scarifying, scaling and cleaning welds.

Useful information

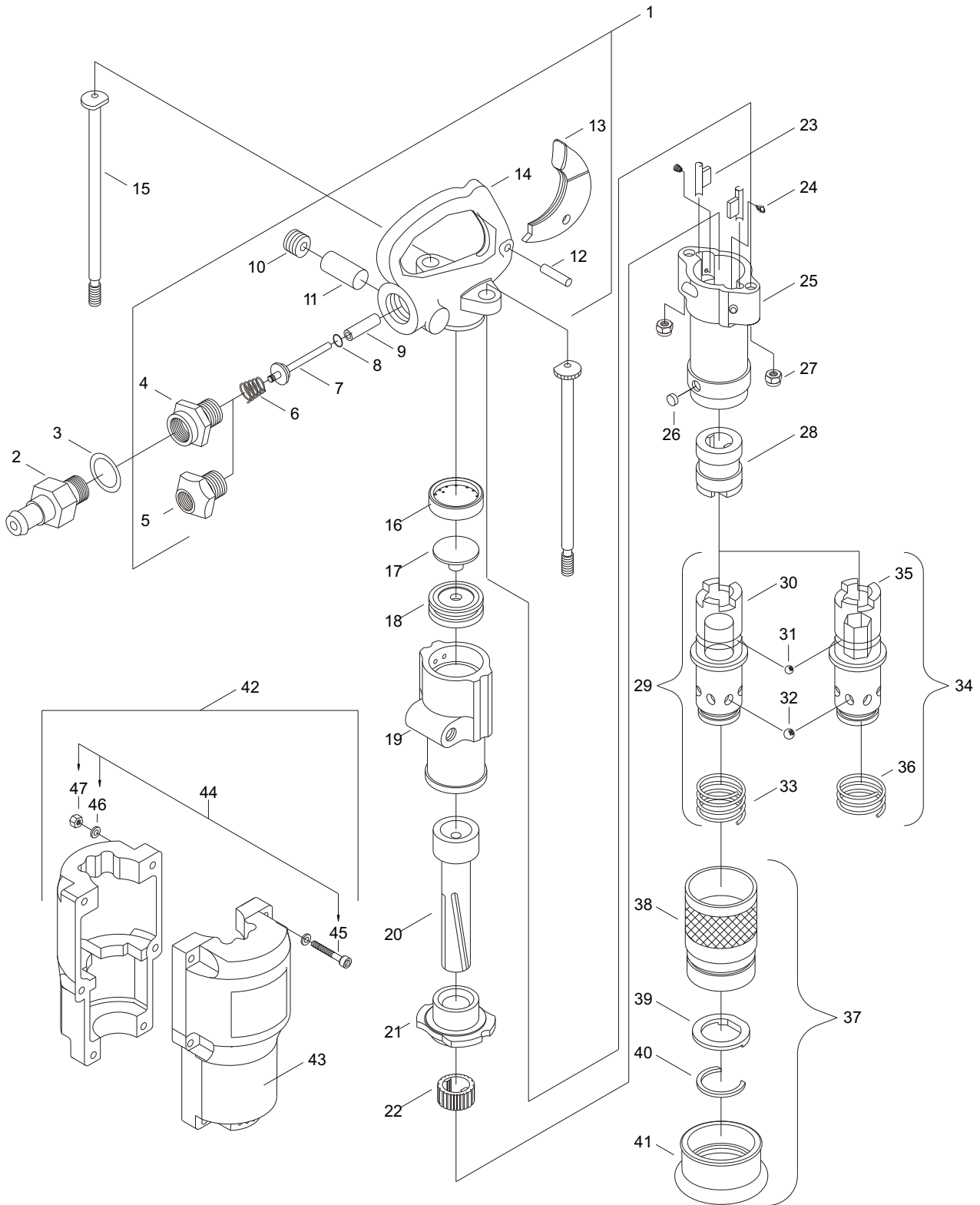
Part No.	Tool	Version	Chuck	Rotation release	Silencer as standard	Air inlet, thread size and type	
						Hose-tail	Air inlet bushing
T022083	CP 0009	A	Round	Yes	No	No	3/8" NPTF
T022511	CP 0009	F	Spline	Yes	No	No	3/8" NPTF
T022082	CP 0009	C	Round	No	No	Yes	3/8" BSP
T022322	CP 0009	CS	Round	No	Yes	Yes	3/8" BSP
T022330	CP 0009	ES	Hex.	No	Yes	Yes	3/8" BSP
Z0027413	CP 0009	AC	Round	No	No	No	3/8" NPTF

EXPLODED VIEW CP 0009 A&F



Ref. No.	Ordering No.	Qty.	Description
CP 0009 A & F			
1	R278018	1	Handle complete (Includes item Nos.2, 3, 4, 7, 8, 9, 10 & 11)
2	R085893	1	Bushing - Air inlet 3/8" NPTF (conical head)
3	R085596	1	Spring - Throttle valve
4	R086329	1	Valve - Throttle
5	R086098	1	Seat - Throttle Valve
6	R085599	1	Bushing - Throttle Valve
7	C077941	1	Plug - Pipe (3/8")
8	R085895	1	Felt - Oil chamber
9	A043627	1	Pin - Throttle lever
10	F027853	1	Lever - Throttle
11		1	Handle (Includes item No. 5 & 6)
12	F034249	2	Bolt - Thru
13	R085896	1	Rear valve seat
14	R085897	1	Valve
15	R085898	1	Front valve seat
16	R085886	1	Cylinder
17	F816122	1	Piston
18	R051356	1	Cylinder bushing
19	F816123	1	Ratchet ring
20	Z8294412	1	Rotation release set (Includes item No.21, 22, 23, 24 & 25)
21		1	Plug - Pipe (1/16 NPTF)
22		1	Spring - Plunger
23		1	Plunger - Shifter detent
24		1	Sleeve - Shifter
25		1	Plunger - Shifter
26	R051355	2	Pawl
27	R085890	2	Spring - Pawl
28	F816120	1	Fronthead
29	F061888	1	Plug - Ball retainer
30	S013073	2	Nut - Thru bolt
31	R085900	1	Chuck Sleeve
32	Z8366412	1	Round chuck complete (Includes item No.33,34,35 & 36)
33		1	Chuck (CP 9A)
34		17	Chuck retainer ball (Only available as set Z8767412 incl.17 balls)
35		8	Ball - Steel (5/16" Dia) (only available as set Z8768412 incl. 8 balls)
36	R086605	1	Spring - Sleeve retainer
37	Z8369412	1	Spline chuck complete (Includes item No.38,34,35 & 36)
38		1	Chuck - Spline (CP 9F)
39	Z8375412	1	Retainer sleeve (Includes item No. 40, 41, 42 & 43)
40		1	Retainer
41	F826683	1	Retainer plate
42	F826893	1	Retainer ring
43	F815343	1	Dust excluder

EXPLODED VIEW CP 0009C, CS, ES & AC



Ref. No.	Ordering No.	Qty.	Description
CP 0009C,CS,ES & AC			
1	F034496	1	Handle complete (Includes item No.4, 5, 6, 7, 10, 11, 12 & 13) (CP 0009 C, CS & ES)
2	F064695	1	Hose tail (CP 9C,CS & ES)
3	F064696	1	Gasket (CP 9C, CS & ES)
4	F064697	1	Air inlet bushing - 3/8" BSP collared head (CP 9C, CS & ES)
5	R085893	1	Air inlet bushing - 3/8" NPTF conical head (CP 0009AC)
6	R085596	1	Throttle valve spring
7	R086329	1	Throttle valve
8	R086098	1	O-ring (Special)
9	R085599	1	Throttle valve bushing
10	C077941	1	Oil plug
11	R085895	1	Oil chamber felt
12	A043627	1	Throttle lever pin
13	F027853	1	Throttle lever
14		1	Handle (Includes item No. 8 & 9)
15	F034249	2	Through bolt
16	R085896	1	Rear valve seat
17	R085897	1	Valve
18	R085898	1	Front valve seat
19	R085886	1	Cylinder
20	F816122	1	Piston
21	R085887	1	Cylinder bushing
22	F816123	1	Ratchet ring
23	F034066	2	Pawl
24	R085890	2	Pawl spring
25	R136592	1	Fronthead
26	F061888	1	Ball retainer plug
27	S013073	2	Through bolt nut
28	R085900	1	Chuck sleeve
29	Z8366412	1	Round chuck complete (Includes item No.30, 31, 32 & 33)
30	F826892	1	Chuck - Round (CP0009C, CS & AC)
31		17	Chuck retainer ball (Only available as set Z8767412 incl. 17 balls)
32		8	Steel retainer ball (only available as set Z8768412 incl.8 balls)
33	R086605	1	Retainer sleeve spring
34	Z8368412	1	Hex chuck complete (Includes item Nos. 31,32,35 & 36)
35	F816159	1	Chuck (CP 0009 ES)
36	F816162	1	Retainer sleeve spring
37	Z8375412	1	Retainer sleeve (Includes item No.38, 39, 40 & 41)
38		1	Retainer
39	F826683	1	Retainer plate
40	F826893	1	Retainer ring
41	F815343	1	Dust excluder
42	F826972	1	Muffler complete (Includes item Nos.43, 45, 46 & 47) (Supplied with CP0009CS & ES)
43		1	Muffler
44	Z3631412	1	Muffler Screw Set (Includes item No.45, 46 & 47)
45		6	Capscrew
46		12	Washer
47		6	Nut



2005-08
No. 9800 0515 01
© Copyright
Stockholm, Sweden

